



IN THE LINE OF POWER



Catalog
Distribution systems



Safe and visually appealing Solutions

As a specialist for safety interfaces, EFEN has extended its range of solutions for power distribution grids. The distribution and house service system provides you with complete solutions from a single source, ready for tomorrow's smart power grid.



Distribution Systems

EFEN's standardized distribution cabinets and pillars comply with DIN EN 61439-5 and can be extended to meet specific requirements. The modular system with 4 width and 3 height possibilities offers various application options up to smart-grid applications.

Product overview page 366



Distribution System, round

The visually appealing house service and distribution pillars are the perfect solution for safe outdoor connections. Thanks to their modular design, they can be configured individually. They are available as stationary and mobile versions for use at event locations.

Product overview page 408



House Service Systems

Because our small house service pillars can be mounted outside, they are accessible for service work at any time. Their compact dimensions make these enclosures a perfect solution for a protected house service connection located outdoors.

Product overview page 420



Even more solutions

Complementing the range of distribution and house service systems, EFEN offers a multitude of solutions for overhead-line and junction boxes. These products optimally complement the end-to-end, safe power supply up to the consumer.

Product overview page 437



Applications for distribution Systems

Distribution cabinets and pillars by EFEN are applicable in many ways. They are used as distribution cabinet for safe power supply or as control cabinets for pumps and lighting systems. The systems are characterized by their modular design, making them ready for tomorrow's smart power grid.

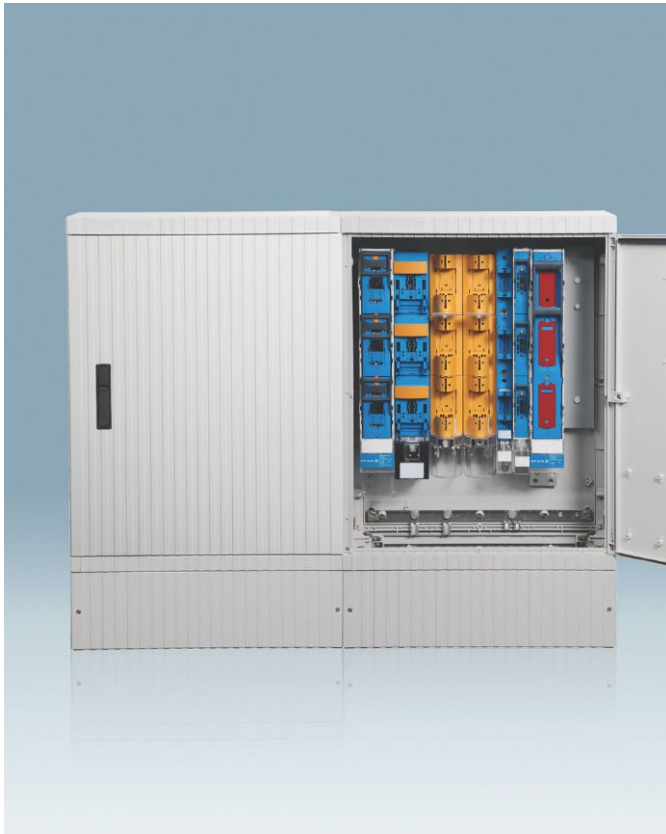
Distribution systems

System

EFEN's distribution systems comply with DIN EN 61439-5 and can modularly be extended to meet specific requirements. Clever solutions for smart-grid applications will soon be available. Special coatings such as anti-graffiti or UV protection are available upon request.

Features

Thanks to their modular design, EFEN distribution systems can be used for various applications. The distribution pillars can be equipped with pre-assembled baseplates or busbar systems as an option. EFEN distribution cabinets are available in numerous width, height and base variants, with baseplates or busbar systems as an option.



Distribution Systems

Distribution cabinets, flat design	page 368
Distribution cabinets, sizes 00, 0, 1, 2	page 369
Fairground and market square distribution cabinets, sizes 00, 0, 1, 2	page 379
Distribution pillars heights 1595 mm, 1710 mm	page 382
Distribution pillars heights 1595 mm, 1710 mm, 2010 mm	page 383
Accessories for distribution cabinets and pillars	page 386
Distribution pillar, round	page 389
Distribution pillar, round, for fairgrounds and market squares	page 392
Cross-Reference-List	page 452

Multivarious

Numerous width and heights



Of easy access Stand-alone installations doors open 180°. Side-by-side installations doors open 90°.



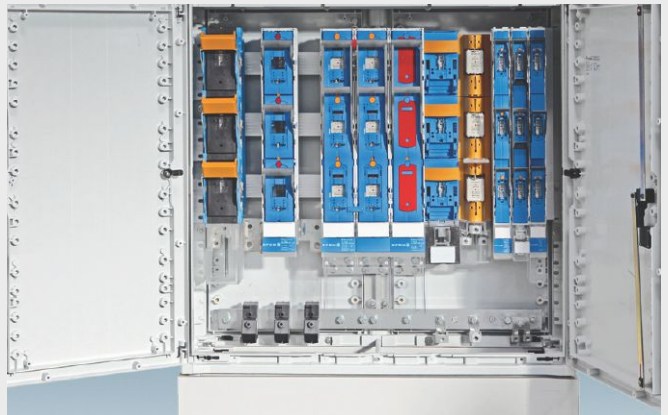
Locked safely

3-point espagnolette double-locking system.



Upgradable

Extendable through comprehensive accessories



Distribution cabinets, flat design

► Technical data, 394
 Dimensional drawing, page 395
 Accessories from page 387



93191-0000

Distribution cabinet, flat design, including assembled base

Features:

- Degree of protection: IP44
- Made of glass-fibre-reinforced polyester of type FS 833.5 in accordance with DIN 16913
- Colour: RAL 7035 light grey
- Single-locking
- Innovative locking system allowing the utilisation of the entire installation depth of 190 mm

Designation	Height	Width	Depth	PU	Product designation	Order no.
Distribution cabinet 154, flat design, height 1500 mm, one door	1500	480	220	1	KVS 154 H1500 ST L FB	93191-0000
Distribution cabinet 154, flat design, height 1500 mm, one door, with PVC mounting panel 418 x 600 x 6 mm (H x W x D)	1500	480	220	1	KVS 154 H1500 ST MP FB	93191-0201



93820-5075

Base filler

Features:

- Filler material to reduce the accumulation of condensed water in enclosures located outdoors
- Required quantity for distribution cabinet 154 Flat = 1 bag

Designation	PU	Product designation	Order no.
Filler material to reduce the accumulation of condensed water in enclosures located outdoors. The fill height should be approx. 200 - 300 mm. 1 bag = 25 litres	1	Sockelfüller 25L	93820-5075

Distribution cabinets, size 00

► Technical data, 396
Dimensional drawing, page 397
Accessories from page 386



93100-0000

Distribution cabinet, size 00, height 845 mm

Features:

- Degree of protection: IP44
- Made of glass-fibre-reinforced polyester of type FS 833.5 in accordance with DIN 16913
- Colour: RAL 7035 light grey
- Double-locking, one lock cylinder installed

Note:

Available as in-ground base only.

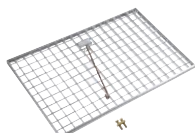
Designation	Height	Width	Depth	PU	Product designation	Order no.
Distribution cabinet, size 00, height 845 mm, one door, empty enclosure	845	480	315	1	KVS 00 H845 ST L	93100-0000
Distribution cabinet, size 00, height 845 mm, one door, with PVC mounting panel 750 x 358 x 6 mm (H x W x D)	845	480	315	1	KVS 00 H845 ST MP	93100-0201
Distribution cabinet, size 00, height 845 mm, one door, with busbar system (4-conductor E-Cu 30 x 6 mm), fits max. 4 installation units	845	480	315	1	KVS 00 H845 ST SS	93100-0302



93835-0010

Base for distribution cabinets, size 00

Designation	Height	Width	Depth	PU	Product designation	Order no.
In-ground base, size 00 / 900 mm (kit)	900	480	315	1	Eingrabssockel Gr. 00, 900 mm	93835-0010



93825-0269

Steel floor grid

Designation	PU	Product designation	Order no.
Steel floor grid kit for distribution cabinet, size 00	1	Bodenrost-Stahlblech Set für KVS Gr. 00	93825-0269



93820-5075

Base filler

Features:

- Filler material to reduce the accumulation of condensed water in enclosures located outdoors
- Required quantity for distribution cabinet size 00 = 2 bags

Designation	PU	Product designation	Order no.
Filler material to reduce the accumulation of condensed water in enclosures located outdoors. The fill height should be approx. 200 - 300 mm. 1 bag = 25 litres	1	Sockelfüller 25L	93820-5075

Busbar kit for distribution cabinets

Features:

- Tin-plated busbar surface
- Width 30 mm
- Clinch nut M12 fitted symmetrically in 100-mm grid
- Insulator bracket with mounting material

Designation	PU	Product designation	Order no.
Busbar kit, size 00, length 386 mm, E-Cu 3 x external-conductor busbar 30 x 6 mm (4 x M12), PEN/N bar 30 x 5 mm (5 x M12), insulator bracket and mounting material	1	Sammelschienen-Bausatz KVS Gr. 00	93820-8570

Distribution cabinets in accordance with DIN EN 61439-5, size 0

► Technical data, 396
 Dimensional drawing, page 398
 Accessories from page 386



93101-0000

Distribution cabinet in accordance with DIN EN 61439-5, size 0, height 845 mm
Features:

- Degree of protection: IP44
- Made of glass-fibre-reinforced polyester of type FS 833.5 in accordance with DIN 16913
- Colour: RAL 7035
- Double-locking, one lock cylinder installed

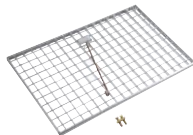
Designation	Height	Width	Depth	PU	Product designation	Order no.
Distribution cabinet, size 0, height 845 mm, one door, empty enclosure	845	585	315	1	KVS 0 H845 ST L	93101-0000
Distribution cabinet, size 0, height 845 mm, one door, with PVC mounting panel 750 x 500 x 6 mm (H x W x D)	845	585	315	1	KVS 0 H845 ST MP	93101-0201
Distribution cabinet, size 0, height 845 mm, one door, with busbar system (4-conductor E-Cu 30 x 6 mm), fits max. 5 installation units	845	585	315	1	KVS 0 H845 ST SS	93101-0302



93810-1010

Base for distribution cabinets, size 0

Designation	Height	Width	Depth	PU	Product designation	Order no.
In-ground base, size 0 / 900 mm (kit)	900	585	315	1	Eingrabssockel Gr. 0 / 900 mm	93810-1010
In-ground base, size 0 / 1125 mm, flood-proofing (kit)	1125	585	315	1	Eingrabssockel Gr. 0 / 1125 mm	93835-1020
Floor-mounted base, size 0 / 250 mm	250	585	315	1	Bodenaufbausockel Gr. 0 / 250 mm	93835-1030



93825-0270

Steel floor grid

Designation	PU	Product designation	Order no.
Steel floor grid kit for distribution cabinet, size 0	1	Bodenrost-Stahlblech Set für KVS Gr. 0	93825-0270



93820-5075

Base filler
Features:

- Filler material to reduce the accumulation of condensed water in enclosures located outdoors
- Required quantity for distribution cabinet size 00 = 2 bags

Designation	PU	Product designation	Order no.
Filler material to reduce the accumulation of condensed water in enclosures located outdoors. The fill height should be approx. 200 - 300 mm. 1 bag = 25 litres	1	Sockelfüller 25L	93820-5075

Busbar kit for distribution cabinets
Features:

- Tin-plated busbar surface
- Width 30 mm
- Clinch nut M12 fitted symmetrically in 100-mm grid
- Insulator bracket with mounting material

Designation	PU	Product designation	Order no.
Busbar kit, size 0, length 491 mm, E-Cu 3 x external-conductor busbar 30 x 6 mm (5 x M12), PEN/N bar 30 x 5 mm (6 x M12), insulator bracket and mounting material	1	Sammelschienen-Bausatz KVS Gr. 0	93820-8579

Distribution cabinets in accordance with DIN EN 61439-5, size 0

► Technical data, 396
Dimensional drawing, page 398
Accessories from page 386



93102-0000

Distribution cabinet in accordance with DIN EN 61439-5, size 0, height 1005 mm

Features:

- Degree of protection: IP44
- Made of glass-fibre-reinforced polyester of type FS 833.5 in accordance with DIN 16913
- Colour: RAL 7035
- Double-locking, one lock cylinder installed

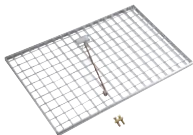
Designation	Height	Width	Depth	PU	Product designation	Order no.
Distribution cabinet, size 0, height 1005 mm, one door, empty enclosure	1005	585	315	1	KVS 0 H1005 ST L	93102-0000
Distribution cabinet, size 0, height 1005 mm, one door, with PVC mounting panel 895 x 491 x 6 mm (H x W x D)	1005	585	315	1	KVS 0 H1005 ST MP	93102-0201
Distribution cabinet, size 0, height 1005 mm, one door, with busbar system (4-conductor E-Cu 30 x 6 mm), fits max. 5 installation units	1005	585	315	1	KVS 0 H1005 ST SS	93102-0302



93810-1010

Base for distribution cabinets, size 0

Designation	Height	Width	Depth	PU	Product designation	Order no.
In-ground base, size 0 / 900 mm (kit)	900	585	315	1	Eingrabssockel Gr. 0 / 900 mm	93810-1010
In-ground base, size 0 / 1125 mm, flood-proofing (kit)	1125	585	315	1	Eingrabssockel Gr. 0 / 1125 mm	93835-1020
Floor-mounted base, size 0 / 250 mm	250	585	315	1	Bodenaufbausockel Gr. 0 / 250 mm	93835-1030
Wall bracket, size 0 with cover plate, 4 x drop-in stepped nipple grommets for cables of 50 - 185 mm ²	640	585	315	1	Wandkonsole Gr. 0	93835-1040



93825-0270

Steel floor grid

Designation	PU	Product designation	Order no.
Steel floor grid kit for distribution cabinet, size 0	1	Bodenrost-Stahlblech Set für KVS Gr. 0	93825-0270



93820-5075

Base filler

Features:

- Filler material to reduce the accumulation of condensed water in enclosures located outdoors
- Required quantity for distribution cabinet size 00 = 2 bags

Designation	PU	Product designation	Order no.
Filler material to reduce the accumulation of condensed water in enclosures located outdoors. The fill height should be approx. 200 - 300 mm. 1 bag = 25 litres	1	Sockelfüller 25L	93820-5075

Busbar kit for distribution cabinets

Features:

- Tin-plated busbar surface
- Width 30 mm
- Clinch nut M12 fitted symmetrically in 100-mm grid
- Insulator bracket with mounting material

Designation	PU	Product designation	Order no.
Busbar kit, size 0, length 491 mm, E-Cu 3 x external-conductor busbar 30 x 6 mm (5 x M12), PEN/N bar 30 x 5 mm (6 x M12), insulator bracket and mounting material	1	Sammelschienen-Bausatz KVS Gr. 0	93820-8579

Distribution cabinets in accordance with DIN EN 61439-5, size 0

► Technical data, 396
 Dimensional drawing, page 398
 Accessories from page 386



93103-0000

Distribution cabinet in accordance with DIN EN 61439-5, size 0, height 1355 mm
Features:

- Degree of protection: IP44
- Made of glass-fibre-reinforced polyester of type FS 833.5 in accordance with DIN 16913
- Colour: RAL 7035 light grey
- Double-locking, one lock cylinder installed

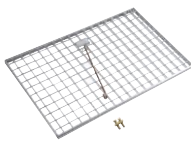
Designation	Height	Width	Depth	PU	Product designation	Order no.
Distribution cabinet, size 0, height 1355 mm, one door, empty enclosure	1355	585	315	1	KVS 0 H1355 ST L	93103-0000
Distribution cabinet, size 0, height 1355 mm, one door, with PVC mounting panel 1245 x 491 x 6 mm (H x W x D)	1355	585	315	1	KVS 0 H1355 ST MP	93103-0201



93810-1010

Base for distribution cabinets, size 0

Designation	Height	Width	Depth	PU	Product designation	Order no.
In-ground base, size 0 / 900 mm (kit)	900	585	315	1	Eingrabsockel Gr. 0 / 900 mm	93810-1010
In-ground base, size 0 / 1125 mm, flood-proofing (kit)	1125	585	315	1	Eingrabsockel Gr. 0 / 1125 mm	93835-1020
Floor-mounted base, size 0 / 250 mm	250	585	315	1	Bodenaufbausockel Gr. 0 / 250 mm	93835-1030



93825-0270

Steel floor grid

Designation	PU	Product designation	Order no.
Steel floor grid kit for distribution cabinet, size 0	1	Bodenrost-Stahlblech Set für KVS Gr. 0	93825-0270



93820-5075

Base filler
Features:

- Filler material to reduce the accumulation of condensed water in enclosures located outdoors
- Required quantity for distribution cabinet, size 0 = 2 bags

Designation	PU	Product designation	Order no.
Filler material to reduce the accumulation of condensed water in enclosures located outdoors. The fill height should be approx. 200 - 300 mm. 1 bag = 25 litres	1	Sockelfüller 25L	93820-5075

Busbar kit for distribution cabinets
Features:

- Tin-plated busbar surface
- Width 30 mm
- Clinch nut M12 fitted symmetrically in 100-mm grid
- Insulator bracket with mounting material

Designation	PU	Product designation	Order no.
Busbar kit, size 0, length 491 mm, E-Cu 3 x external-conductor busbar 30 x 6 mm (5 x M12), PEN/N bar 30 x 5 mm (6 x M12), insulator bracket and mounting material	1	Sammelschienen-Bausatz KVS Gr. 0	93820-8579

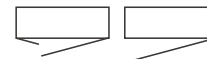
Distribution cabinets in accordance with DIN EN 61439-5, size 1

► Technical data, 396
Dimensional drawing, page 400
Accessories from page 386



93110-0000

Distribution cabinet in accordance with DIN EN 61439-5, size 1, height 845 mm



Features:

- Degree of protection: IP44
- Made of glass-fibre-reinforced polyester of type FS 833.5 in accordance with DIN 16913
- Colour: RAL 7035 light grey
- Double-locking, one lock cylinder installed

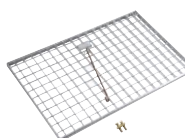
Designation	Height	Width	Depth	PU	Product designation	Order no.
Distribution cabinet, size 1, height 845 mm, one door, empty enclosure	845	780	315	1	KVS 1 H845 ST L	93110-0000
Distribution cabinet, size 1, height 845 mm, one door, with mounting panel PVC 750 x 658 x 6 mm (H x W x D)	845	780	315	1	KVS 1 H845 ST MP	93110-0201
Distribution cabinet, size 1, height 845 mm, one door, with busbar system (4-conductor E-Cu 30 x 6 mm), fits max. 7 installation units	845	780	315	1	KVS 1 H845 ST SS	93110-0302
Distribution cabinet, size 1, height 845 mm, two doors, with mounting panel PVC 750 x 658 x 6 mm (H x W x D), asymmetric doors	845	780	315	1	KVS 1 H845 ST MP AT	93110-0401



93835-0110

Base for distribution cabinets, size 1

Designation	Height	Width	Depth	PU	Product designation	Order no.
In-ground base, size 1 / 900 mm (kit)	900	780	315	1	Eingrabssockel Gr. 1 / 900 mm	93835-0110
In-ground base, size 1 / 1125 mm, flood-proofing (kit)	1125	780	315	1	Eingrabssockel Gr. 1 / 1125 mm	93835-0120
Floor-mounted base, size 1 / 250 mm	250	780	315	1	Bodenaufbausockel Gr. 1 / 250 mm	93835-0130



93825-0271

Steel floor grid

Designation	PU	Product designation	Order no.
Steel floor grid kit for distribution cabinet, size 1	1	Bodenrost-Stahlblech Set für KVS Gr. 1	93825-0271



93820-5075

Base filler

Features:

- Filler material to reduce the accumulation of condensed water in enclosures located outdoors
- Required quantity for distribution cabinet, size 1 = 3 bags

Designation	PU	Product designation	Order no.
Filler material to reduce the accumulation of condensed water in enclosures located outdoors. The fill height should be approx. 200 - 300 mm. 1 bag = 25 litres	1	Sockelfüller 25L	93820-5075

Busbar kit for distribution cabinets

Features:

- Tin-plated busbar surface
- Width 30 mm
- Clinch nut M12 fitted symmetrically in 100-mm grid
- Insulator bracket with mounting material

Designation	PU	Product designation	Order no.
Busbar kit, size 1, length 686 mm, E-Cu 3 x external-conductor busbar 30 x 6 mm (7 x M12), PEN/N bar 30 x 5 mm (8 x M12), insulator bracket and mounting material	1	Sammelschienen-Bausatz KVS Gr. 01	93820-8580

Distribution cabinets in accordance with DIN EN 61439-5, size 1

► Technical data, 396
 Dimensional drawing, page 400
 Accessories from page 386



93112-0000

Distribution cabinet in accordance with DIN EN 61439-5, size 1, height 1005 mm
Features:

- Degree of protection: IP44
- Made of glass-fibre-reinforced polyester of type FS 833.5 in accordance with DIN 16913
- Colour: RAL 7035 light grey
- Double-locking, one lock cylinder installed

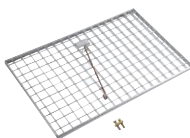
Designation	Height	Width	Depth	PU	Product designation	Order no.
Distribution cabinet, size 1, height 1005 mm, one door, empty enclosure	1005	780	315	1	KVS 1 H1005 ST L	93112-0000
Distribution cabinet, size 1, height 1005 mm, one door, with mounting panel PVC 895 x 686 x 6 mm (H x W x D)	1005	780	315	1	KVS 1 H1005 ST MP	93112-0201
Distribution cabinet, size 1, height 1005 mm, one door, with busbar system (4-conductor E-Cu 30 x 6 mm), fits max. 7 installation units	1005	780	315	1	KVS 1 H1005 ST SS	93111-0302
Distribution cabinet, size 1, height 1005 mm, two doors, with mounting panel PVC 895 x 686 x 6 mm (H x W x D), asymmetric doors	1005	780	315	1	KVS 1 H1005 ST MP AT	93112-0401



93835-0110

Base for distribution cabinets, size 1

Designation	Height	Width	Depth	PU	Product designation	Order no.
In-ground base, size 1 / 900 mm (kit)	900	780	315	1	Eingrabssockel Gr. 1 / 900 mm	93835-0110
In-ground base, size 1 / 1125 mm, flood-proofing (kit)	1125	780	315	1	Eingrabssockel Gr. 1 / 1125 mm	93835-0120
Floor-mounted base, size 1 / 250 mm	250	780	315	1	Bodenaufbausockel Gr. 1 / 250 mm	93835-0130
Wall bracket, size 1 with cover plate, 6 x drop-in stepped nipple grommets for cables of 50 - 185 mm ²	640	780	315	1	Wandkonsole Gr. 1	93835-0140



93825-0271

Steel floor grid

Designation	PU	Product designation	Order no.
Steel floor grid kit for distribution cabinet, size 1	1	Bodenrost-Stahlblech Set für KVS Gr. 1	93825-0271



93820-5075

Base filler
Features:

- Filler material to reduce the accumulation of condensed water in enclosures located outdoors
- Required quantity for distribution cabinet, size 1 = 3 bags

Designation	PU	Product designation	Order no.
Filler material to reduce the accumulation of condensed water in enclosures located outdoors. The fill height should be approx. 200 - 300 mm. 1 bag = 25 litres	1	Sockelfüller 25L	93820-5075

Busbar kit for distribution cabinets
Features:

- Tin-plated busbar surface
- Width 30 mm
- Clinch nut M12 fitted symmetrically in 100-mm grid
- Insulator bracket with mounting material

Designation	PU	Product designation	Order no.
Busbar kit, size 1, length 686 mm, E-Cu 3 x external-conductor busbar 30 x 6 mm (7 x M12), PEN/N bar 30 x 5 mm (8 x M12), insulator bracket and mounting material	1	Sammelschienen-Bausatz KVS Gr. 01	93820-8580

Distribution cabinets in accordance with DIN EN 61439-5, size 1

► Technical data, 396
Dimensional drawing, page 400
Accessories from page 386



93113-0000

Distribution cabinet in accordance with DIN EN 61439-5, size 1, height 1355 mm

Features:

- Degree of protection: IP44
- Made of glass-fibre-reinforced polyester of type FS 833.5 in accordance with DIN 16913
- Colour: RAL 7035 light grey
- Double-locking, one lock cylinder installed

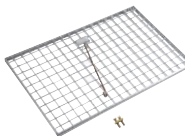
Designation	Height	Width	Depth	PU	Product designation	Order no.
Distribution cabinet, size 1, height 1355 mm, one door, empty enclosure	1355	780	315	1	KVS 1 H1355 ST L	93113-0000
Distribution cabinet, size 1, height 1355 mm, one door, with mounting panel PVC 1245 x 686 x 6 mm (H x W x D)	1355	780	315	1	KVS 1 H1355 ST MP	93113-0201



93835-0110

Base for distribution cabinets, size 1

Designation	Height	Width	Depth	PU	Product designation	Order no.
In-ground base, size 1 / 900 mm (kit)	900	780	315	1	Eingrabssockel Gr. 1 / 900 mm	93835-0110
In-ground base, size 1 / 1125 mm, flood-proofing (kit)	1125	780	315	1	Eingrabssockel Gr. 1 / 1125 mm	93835-0120
Floor-mounted base, size 1 / 250 mm	250	780	315	1	Bodenaufbausockel Gr. 1 / 250 mm	93835-0130



93825-0271

Steel floor grid

Designation	PU	Product designation	Order no.
Steel floor grid kit for distribution cabinet, size 1	1	Bodenrost-Stahlblech Set für KVS Gr. 1	93825-0271



93820-5075

Base filler

Features:

- Filler material to reduce the accumulation of condensed water in enclosures located outdoors
- Required quantity for distribution cabinet, size 1 = 3 bags

Designation	PU	Product designation	Order no.
Filler material to reduce the accumulation of condensed water in enclosures located outdoors. The fill height should be approx. 200 - 300 mm. 1 bag = 25 litres	1	Sockelfüller 25L	93820-5075

Busbar kit for distribution cabinets

Features:

- Tin-plated busbar surface
- Width 30 mm
- Clinch nut M12 fitted symmetrically in 100-mm grid
- Insulator bracket with mounting material

Designation	PU	Product designation	Order no.
Busbar kit, size 1, length 686 mm, E-Cu 3 x external-conductor busbar 30 x 6 mm (7 x M12), PEN/N bar 30 x 5 mm (8 x M12), insulator bracket and mounting material	1	Sammelschienen-Bausatz KVS Gr. 01	93820-8580

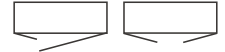
Distribution cabinets in accordance with DIN EN 61439-5, size 2

► Technical data, 396
Dimensional drawing, page 402
Accessories from page 386



93120-0000

Distribution cabinet in accordance with DIN EN 61439-5, size 2, height 845 mm



Features:

- Degree of protection: IP44
- Made of glass-fibre-reinforced polyester of type FS 833.5 in accordance with DIN 16913
- Colour: RAL 7035 light grey
- Single-locking, one lock cylinder installed

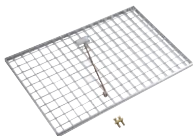
Designation	Height	Width	Depth	PU	Product designation	Order no.
Distribution cabinet, size 2, height 845 mm, one door, empty enclosure	845	1110	315	1	KVS 2 H845 ST L	93120-0000
Distribution cabinet, size 2, height 845 mm, one door, with mounting panel PVC 750 x 988 x 6 mm (H x W x D)	845	1110	315	1	KVS 2 H845 ST MP	93120-0201
Distribution cabinet, size 2, height 845 mm, one door, with busbar system (4-conductor E-Cu 30 x 8 mm), fits max. 10 installation units	845	1110	315	1	KVS 2 H845 ST SS	93120-0302
Distribution cabinet, size 2, height 845 mm, two doors, with mounting panel PVC 750 x 988 x 6 mm (H x W x D), asymmetric doors	845	1110	315	1	KVS 2 H845 ST MP asy. Türen	93120-0401



93835-0210

Base for distribution cabinets, size 2

Designation	Height	Width	Depth	PU	Product designation	Order no.
In-ground base, size 2 / 900 mm (kit)	900	1110	315	1	Eingrabsockel Gr. 2 / 900 mm	93835-0210
In-ground base, size 2 / 1125 mm, flood-proofing (kit)	1125	1110	315	1	Eingrabsockel Gr. 2 / 1125 mm	93835-0220
Floor-mounted base, size 2 / 250 mm	250	1110	315	1	Bodenaufbausockel Gr. 2 / 250 mm	93835-0230



93825-0272

Steel floor grid

Designation	PU	Product designation	Order no.
Steel floor grid kit for distribution cabinet, size 2	1	Bodenrost-Stahlblech Set für KVS Gr. 2	93825-0272



93820-5075

Base filler

Features:

- Filler material to reduce the accumulation of condensed water in enclosures located outdoors
- Required quantity for distribution cabinet, size 2 = 3 bags

Designation	PU	Product designation	Order no.
Filler material to reduce the accumulation of condensed water in enclosures located outdoors. The fill height should be approx. 200 - 300 mm. 1 bag = 25 litres	1	Sockelfüller 25L	93820-5075

Busbar kit for distribution cabinets

Features:

- Tin-plated busbar surface
- Width 30 mm
- Clinch nut M12 fitted symmetrically in 100-mm grid
- Insulator bracket with mounting material

Designation	PU	Product designation	Order no.
Busbar kit, size 2, length 1016 mm, E-Cu 3 x external-conductor busbar 30 x 8 mm (10 x M12), PEN/N bar 30 x 6 mm (11 x M12), insulator bracket and mounting material	1	Sammelschienen-Bausatz KVS Gr. 02	93820-8581

Distribution cabinets in accordance with DIN EN 61439-5, size 2

► Technical data, 396
Dimensional drawing, page 402
Accessories from page 386



93122-0000

Distribution cabinet in accordance with DIN EN 61439-5, size 2, height 1005 mm

Features:

- Degree of protection: IP44
- Made of glass-fibre-reinforced polyester of type FS 833.5 in accordance with DIN 16913
- Colour: RAL 7035 light grey
- Double-locking, one lock cylinder installed

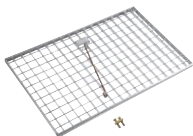
Designation	Height	Width	Depth	PU	Product designation	Order no.
Distribution cabinet, size 2, height 1005 mm, two doors, empty enclosure	1005	1110	315	1	KVS 2 H1005 ST L	93122-0000
Distribution cabinet, size 2, height 1005 mm, two doors, with PVC mounting panel 895 x 1016 x 6 mm (H x W x D)	1005	1110	315	1	KVS 2 H1005 ST MP	93122-0201
Distribution cabinet, size 2, height 1005 mm, two doors, with busbar system (4-conductor E-Cu 30 x 8 mm), fits max. 10 installation units	1005	1110	315	1	KVS 2 H1005 ST SS	93121-0302
Distribution cabinet, size 2, height 1005 mm, two doors, with PVC mounting panel 895 x 1016 x 6 mm (H x W x D), asymmetric doors	1005	1110	315	1	KVS 2 H1005 ST MP asy. Türen	93122-0401



93835-0210

Base for distribution cabinets, size 2

Designation	Height	Width	Depth	PU	Product designation	Order no.
In-ground base, size 2 / 900 mm (kit)	900	1110	315	1	Eingrabsockel Gr. 2 / 900 mm	93835-0210
In-ground base, size 2 / 1125 mm, flood-proofing (kit)	1125	1110	315	1	Eingrabsockel Gr. 2 / 1125 mm	93835-0220
Floor-mounted base, size 2 / 250 mm	250	1110	315	1	Bodenaufbausockel Gr. 2 / 250 mm	93835-0230
Wall bracket, size 2 with cover plate, 9 x drop-in stepped nipple grommets for cables of 50 - 185 mm ²	640	1110	315	1	Wandkonsole Gr. 2	93835-0240



93825-0272

Steel floor grid

Designation	PU	Product designation	Order no.
Steel floor grid kit for distribution cabinet, size 2	1	Bodenrost-Stahlblech Set für KVS Gr. 2	93825-0272



93820-5075

Base filler

Features:

- Filler material to reduce the accumulation of condensed water in enclosures located outdoors
- Required quantity for distribution cabinet, size 2 = 3 bags

Designation	PU	Product designation	Order no.
Filler material to reduce the accumulation of condensed water in enclosures located outdoors. The fill height should be approx. 200 - 300 mm. 1 bag = 25 litres	1	Sockelfüller 25L	93820-5075

Busbar kit for distribution cabinets

Features:

- Tin-plated busbar surface
- Width 30 mm
- Clinch nut M12 fitted symmetrically in 100-mm grid
- Insulator bracket with mounting material

Designation	PU	Product designation	Order no.
Busbar kit, size 2, length 1016 mm, E-Cu 3 x external-conductor busbar 30 x 8 mm (10 x M12), PEN/N bar 30 x 6 mm (11 x M12), insulator bracket and mounting material	1	Sammelschienen-Bausatz KVS Gr. 02	93820-8581

Distribution cabinets in accordance with DIN EN 61439-5, size 2

► Technical data, 396
 Dimensional drawing, page 403
 Accessories from page 386



93123-0000

Distribution cabinet in accordance with DIN EN 61439-5, size 2, height 1355 mm
Features:

- Degree of protection: IP44
- Made of glass-fibre-reinforced polyester of type FS 833.5 in accordance with DIN 16913
- Colour: RAL 7035 light grey
- Double-locking, one lock cylinder installed

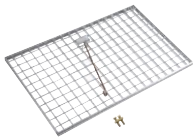
Designation	Height	Width	Depth	PU	Product designation	Order no.
Distribution cabinet, size 2, height 1355 mm, two doors, empty enclosure	1355	1110	315	1	KVS 2 H1355 ST L	93123-0000
Distribution cabinet, size 2, height 1355 mm, two doors, with PVC mounting panel 1245 x 988 x 6 mm (H x W x D)	1355	1110	315	1	KVS 2 H1355 ST MP	93123-0201
Distribution cabinet, size 2, height 1355 mm, two doors, with PVC mounting panel 1245 x 988 x 6 mm (H x W x D), asymmetric doors	1355	1110	315	1	KVS 2 H1355 ST MP asy. Türen	93123-0401



93835-0210

Base for distribution cabinets, size 2

Designation	Height	Width	Depth	PU	Product designation	Order no.
In-ground base, size 2 / 900 mm (kit)	900	1110	315	1	Eingrabsockel Gr. 2 / 900 mm	93835-0210
In-ground base, size 2 / 1125 mm, flood-proofing (kit)	1125	1110	315	1	Eingrabsockel Gr. 2 / 1125 mm	93835-0220
Floor-mounted base, size 2 / 250 mm	250	1110	315	1	Bodenaufbausockel Gr. 2 / 250 mm	93835-0230



93825-0272

Steel floor grid

Designation	PU	Product designation	Order no.
Steel floor grid kit for distribution cabinet, size 2	1	Bodenrost-Stahlblech Set für KVS Gr. 2	93825-0272



93820-5075

Base filler
Features:

- Filler material to reduce the accumulation of condensed water in enclosures located outdoors
- Required quantity for distribution cabinet, size 2 = 3 bags

Designation	PU	Product designation	Order no.
Filler material to reduce the accumulation of condensed water in enclosures located outdoors. The fill height should be approx. 200 - 300 mm. 1 bag = 25 litres	1	Sockelfüller 25L	93820-5075

Busbar kit for distribution cabinets
Features:

- Tin-plated busbar surface
- Width 30 mm
- Clinch nut M12 fitted symmetrically in 100-mm grid
- Insulator bracket with mounting material

Designation	PU	Product designation	Order no.
Busbar kit, size 2, length 1016 mm, E-Cu 3 x external-conductor busbar 30 x 8 mm (10 x M12), PEN/N bar 30 x 6 mm (11 x M12), insulator bracket and mounting material	1	Sammelschienen-Bausatz KVS Gr. 02	93820-8581

Fairground and market square distribution cabinets, size 0, in accordance with DIN EN 61439-5, E DIN 61439-7

► Technical data, 396
Dimensional drawing, page 400
Accessories from page 386



93102-0332

Fairground distribution cabinets in accordance with DIN EN 61439-5, size 0, height 1005 mm

Features:

- Degree of protection: IP44
- Made of glass-fibre-reinforced polyester of type FS 833.5 in accordance with DIN 16913
- Colour: RAL 7035 light grey
- Double-locking, one lock cylinder installed
- Performance of services on request

Designation	Height	Width	Depth	PU	Product designation	Order no.
Distribution cabinet, size 0, fairground, height 1005 mm, one door, with busbar system (5-conductor E-Cu 30 x 6 mm), fits max. 5 installation units	1005	585	315	1	KVS 00 H 1005 ST SS FP	93102-0332
Distribution cabinet, size 0, fairground, height 1430 mm, one door, with busbar system (5-conductor E-Cu 30 x 6 mm), fits max. 5 installation units, 4 cable inlets, mobile variant with pedestal	1430	585	315	1	KVS 0 H1005 ST SS MO	93102-0342



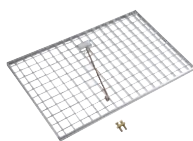
93835-1050

Base for fairground distribution cabinets, size 0

Designation	Height	Width	Depth	PU	Product designation	Order no.
In-ground base, fairground, size 0, with 4 cable inlets	900	585	315	1	Eingrabsockel Gr. 0, FP - 4 Kabeleinf.	93835-1050
Floor-mounted base, fairground, size 0, with 4 cable inlets	250	585	315	1	Bodenaufbausockel Gr. 0 FP, 4 Kabelf.	93835-1055

Cover for cable outlet for bases for fairground distribution cabinets, size 0

Designation	PU	Product designation	Order no.
Cover for cable outlet for fairground distribution cabinet, size 0	1	KVS 0 Abdeckung FP	93820-7900



93825-0270

Steel floor grid

Designation	PU	Product designation	Order no.
Steel floor grid kit for distribution cabinet, size 0	1	Bodenrost-Stahlblech Set für KVS Gr. 0	93825-0270



93820-5075

Base filler

Features:

- Filler material to reduce the accumulation of condensed water in enclosures located outdoors
- Required quantity for distribution cabinet, size 0 = 2 bags

Designation	PU	Product designation	Order no.
Filler material to reduce the accumulation of condensed water in enclosures located outdoors. The fill height should be approx. 200 - 300 mm. 1 bag = 25 litres	1	Sockelfüller 25L	93820-5075

Fairground and market square distribution cabinets, size 1, in accordance with DIN EN 61439-5, E DIN EN 61439-7

► Technical data, 396
 Dimensional drawing, page 400
 Accessories from page 386



93112-0332

Fairground distribution cabinet in accordance with DIN EN 61439-5, size 1, height 1005 mm

Features:

- Degree of protection: IP44
- Made of glass-fibre-reinforced polyester of type FS 833.5 in accordance with DIN 16913
- Colour: RAL 7035 light grey
- Double-locking, one lock cylinder installed
- Performance of services on request

Designation	Height	Width	Depth	PU	Product designation	Order no.
Distribution cabinet, size 1, fairground, height 1005 mm, one door, with busbar system (5-conductor E-Cu 30 x 6 mm), fits max. 7 installation units	1005	780	315	1	KVS 1 H1005 ST SS	93112-0332
Distribution cabinet, size 1, fairground, height 1430 mm, one door, with busbar system (5-conductor E-Cu 30 x 6 mm), fits max. 7 installation units, 6 cable inlets, mobile variant with pedestal	1430	780	315	1	KVS 1 H1005 ST SS FP MO	93112-0342



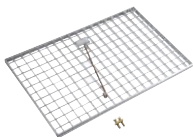
93835-0150

Base for fairground distribution cabinets, size 1

Designation	Height	Width	Depth	PU	Product designation	Order no.
In-ground base, fairground, size 1, with 6 cable inlets	900	780	315	1	Eingrabsockel Gr. 1, FP - 6 Kabeleinf.	93835-0150
Floor-mounted base, fairground, size 1, with 6 cable inlets	250	780	315	1	Bodenaufbausockel Gr. 1 FP, 6 Kabelf.	93835-0155

Cover for cable outlet for bases for fairground distribution cabinets, size 1

Designation	PU	Product designation	Order no.
Cover for cable outlet, size 1, fairground	1	KVS-Abdeck. Kabelausl. Gr. 1 FP	93820-7901



93825-0271

Steel floor grid

Designation	PU	Product designation	Order no.
Steel floor grid kit for distribution cabinet, size 1	1	Bodenrost-Stahlblech Set für KVS Gr. 1	93825-0271



93820-5075

Base filler

Features:

- Filler material to reduce the accumulation of condensed water in enclosures located outdoors
- Required quantity for distribution cabinet, size 1 = 3 bags

Designation	PU	Product designation	Order no.
Filler material to reduce the accumulation of condensed water in enclosures located outdoors. The fill height should be approx. 200 - 300 mm. 1 bag = 25 litres	1	Sockelfüller 25L	93820-5075

Fairground and market square distribution cabinets, size 2, in accordance with DIN EN 61439-5, E DIN EN 61439-7

► Technical data, 396
Dimensional drawing, page 402
Accessories from page 386



93122-0332

Fairground distribution cabinet in accordance with DIN EN 61439-5, size 2, height 1005 mm

Features:

- Degree of protection: IP44
- Made of glass-fibre-reinforced polyester of type FS 833.5 in accordance with DIN 16913
- Colour: RAL 7035 light grey
- Double-locking, one lock cylinder installed
- Performance of services on request

Designation	Height	Width	Depth	PU	Product designation	Order no.
Distribution cabinet, size 2, fairground, height 1005 mm, two doors, with busbar system (5-conductor E-Cu 30 x 8 mm), fits max. 10 installation units	1005	1110	315	1	KVS 2 H1005 ST SS FP	93122-0332
Distribution cabinet, size 2, fairground, height 1430 mm, two doors, with busbar system (5-conductor E-Cu 30 x 8 mm), fits max. 10 installation units, 6 cable inlets, mobile variant with pedestal	1430	1110	315	1	KVS 2 H1005 ST SS FP MO	93122-0342



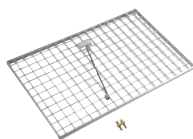
93835-0250

Base for fairground distribution cabinets, size 2

Designation	Height	Width	Depth	PU	Product designation	Order no.
In-ground base, fairground, size 2, with 9 cable inlets	900	1110	315	1	Eingrabsockel Gr. 2, FP - 9 Kabeleinf.	93835-0250
Floor-mounted base, fairground, size 2, with 9 cable inlets	250	1110	315	1	Bodenaufbausockel Gr. 9 FP, 9 Kabelf.	93835-0255

Cover for cable outlet for bases for fairground distribution cabinets, size 2

Designation	PU	Product designation	Order no.
Cover for cable outlet, size 2, fairground	1	KVS-Abdeck. Kabelaussl. Gr. 2 FP	93820-7902



93825-0272

Steel floor grid

Designation	PU	Product designation	Order no.
Steel floor grid kit for distribution cabinet, size 2	1	Bodenrost-Stahlblech Set für KVS Gr. 2	93825-0272



93820-5075

Base filler

Features:

- Filler material to reduce the accumulation of condensed water in enclosures located outdoors
- Required quantity for distribution cabinet, size 2 = 3 bags

Designation	PU	Product designation	Order no.
Filler material to reduce the accumulation of condensed water in enclosures located outdoors. The fill height should be approx. 200 - 300 mm. 1 bag = 25 litres	1	Sockelfüller 25L	93820-5075

Distribution pillars

► Technical data, 404, 406
 Dimensional drawing, page 405, 407
 Accessories from page 386



93260-0010

Distribution pillar, height 1420 mm, degree of protection IP44

Features:

- Made of glass-fibre-reinforced polyester of type FS 833.5 in accordance with DIN 16913
- Colour: RAL 7035 light grey
- Plug-in door
- Single-locking

Designation	Height	Width	Depth	PU	Product designation	Order no.
Distribution pillar 142, height 1420 mm, flat design	1420	320	225	1	VS 142 ST L FB	93260-0010
Distribution pillar 142, height 1420 mm, flat design, with mounting panel PVC 600 x 276 x 6 mm (H x W x D)	1420	320	225	1	VS 142 ST MP FB	93260-0211
Distribution pillar 142, height 1420 mm, flat design, with busbar system (4-conductor E-Cu 30 x 5 mm), max. 2 installation units	1420	320	225	1	VS 142 ST SS FB	93260-0312



93262-0010

Distribution pillar, height 1560 mm, degree of protection IP44

Features:

- Made of glass-fibre-reinforced polyester of type FS 833.5 in accordance with DIN 16913
- Colour: RAL 7035 light grey
- Empty pillars and variant with mounting panel = double locking, one lock cylinder installed
- Distribution pillar with busbar = single-locking

Designation	Height	Width	Depth	PU	Product designation	Order no.
Distribution pillar 152, height 1560 mm	1560	361	277	1	VS 152 ST L	93262-0010
Distribution pillar 152, height 1560 mm, flat design, with mounting panel PVC 700 x 278 x 6 mm (H x W x D)	1560	361	277	1	VS 152 ST MP FB	93262-0211
Distribution pillar 152, height 1560 mm, flat design, with busbar system (4-conductor E-Cu 30 x 6 mm), max. 2 installation units	1560	361	277	1	VS 152 ST SS FB	93262-0312



93270-0010

Distribution pillar, height 1560 mm, degree of protection IP44

Features:

- Made of glass-fibre-reinforced polyester of type FS 833.5 in accordance with DIN 16913
- Colour: RAL 7035 light grey
- Empty pillars and variant with mounting panel = double locking, one lock cylinder installed
- Distribution pillar with busbar = single-locking

Designation	Height	Width	Depth	PU	Product designation	Order no.
Distribution pillar 155, height 1560 mm	1560	583	277	1	VS 155 ST L	93270-0010
Distribution pillar 155, height 1560 mm, with PVC mounting panel 700 x 500 x 6 mm (H x W x D)	1560	583	277	1	VS 155 ST MP	93270-0211
Distribution pillar 155, height 1560 mm, with busbar system (4-conductor E-Cu 30 x 6 mm), fits max. 4 installation units	1560	583	277	1	VS 155 ST SS	93270-0312

Distribution pillars

► Technical data, 404, 406
Dimensional drawing, page 405, 407
Accessories from page 386



93280-0010

Distribution pillar, height 1560 mm, degree of protection IP44

Features:

- Made of glass-fibre-reinforced polyester of type FS 833.5 in accordance with DIN 16913
- Colour: RAL 7035 light grey
- Empty pillars and variant with mounting panel = double locking, one lock cylinder installed
- Distribution pillar with busbar = single-locking

Designation	Height	Width	Depth	PU	Product designation	Order no.
Distribution pillar 157, height 1560 mm	1560	839	277	1	VS 157 ST L	93280-0010
Distribution pillar 157, height 1560 mm, with PVC mounting panel 755.5 x 756 x 6 mm (H x W x D)	1560	839	277	1	VS 157 ST MP	93280-0211
Distribution pillar 157, height 1560 mm, with busbar system (4-conductor E-Cu 30 x 6 mm), fits max. 7 installation units	1560	839	277	1	VS 157 ST SS	93280-0312



93261-0010

Distribution pillar, height 1595 mm, degree of protection IP44

Features:

- Made of glass-fibre-reinforced polyester of type FS 833.5 in accordance with DIN 16913
- Colour: RAL 7035 light grey
- Plug-in door
- Single-locking

Designation	Height	Width	Depth	PU	Product designation	Order no.
Distribution pillar 162, height 1595 mm, flat design	1595	320	225	1	VS 162 ST L FB	93261-0010
Distribution pillar 162, height 1595 mm, flat design, with mounting panel PVC 800 x 276 x 6 mm (H x W x D)	1595	320	225	1	VS 162 ST MP FB	93261-0211
Distribution pillar 162, height 1595 mm, flat design, with busbar system (4-conductor E-Cu 30 x 5 mm), max. 2 installation units	1595	320	225	1	VS 162 ST SS FB	93261-0312



93263-0010

Distribution pillar, height 1710 mm, degree of protection IP44

Features:

- Made of glass-fibre-reinforced polyester of type FS 833.5 in accordance with DIN 16913
- Colour: RAL 7035 light grey
- Empty pillars and variant with mounting panel = double locking, one lock cylinder installed
- Distribution pillar with busbar = single-locking

Designation	Height	Width	Depth	PU	Product designation	Order no.
Distribution pillar 172, height 1710 mm	1710	361	277	1	VS 172 ST L	93263-0010
Distribution pillar 172, height 1710 mm, with PVC mounting panel 850 x 278 x 6 mm (H x W x D)	1710	361	277	1	VS 172 ST MP	93263-0211
Distribution pillar 172, height 1710 mm, with busbar system (4-conductor E-Cu 30 x 6 mm), fits max. 2 installation units	1710	361	277	1	VS 172 ST SS	93263-0312

Distribution pillars

► Technical data, 406
Dimensional drawing, page 407
Accessories from page 386



93271-0010

Distribution pillar, height 1710 mm, degree of protection IP44

Features:

- Made of glass-fibre-reinforced polyester of type FS 833.5 in accordance with DIN 16913
- Colour: RAL 7035 light grey
- Empty pillars and variant with mounting panel = double locking, one lock cylinder installed
- Distribution pillar with busbar = single-locking

Designation	Height	Width	Depth	PU	Product designation	Order no.
Distribution pillar 175, height 1710 mm	1710	583	277	1	VS 175 ST L	93271-0010
Distribution pillar 175, height 1710 mm, with PVC mounting panel 850 x 500 x 6 mm (H x W x D)	1710	583	277	1	VS 175 ST MP	93271-0211
Distribution pillar 175, height 1710 mm, with busbar system (4-conductor E-Cu 30 x 6 mm), fits max. 4 installation units	1710	583	277	1	VS 175 ST SS	93271-0312



93281-0010

Distribution pillar, height 1710 mm, degree of protection IP44

Features:

- Made of glass-fibre-reinforced polyester of type FS 833.5 in accordance with DIN 16913
- Colour: RAL 7035 light grey
- Empty pillars and variant with mounting panel = double locking, one lock cylinder installed
- Distribution pillar with busbar = single-locking

Designation	Height	Width	Depth	PU	Product designation	Order no.
Distribution pillar 177, height 1710 mm	1710	839	277	1	VS 177 ST L	93281-0010
Distribution pillar 177, height 1710 mm, with PVC mounting panel 850 x 756 x 6 mm (H x W x D)	1710	839	277	1	VS 177 ST MP	93281-0211
Distribution pillar 177, height 1710 mm, with busbar system (4-conductor E-Cu 30 x 6 mm), fits max. 7 installation units	1710	839	277	1	VS 177 ST SS	93281-0312



93264-0010

Distribution pillar, height 2010 mm, degree of protection IP44

Features:

- Made of glass-fibre-reinforced polyester of type FS 833.5 in accordance with DIN 16913
- Colour: RAL 7035 light grey
- Empty pillars and variant with mounting panel = double locking, one lock cylinder installed
- Distribution pillar with busbar = single-locking

Designation	Height	Width	Depth	PU	Product designation	Order no.
Distribution pillar 202, height 2010 mm	2010	361	277	1	VS 202 ST L	93264-0010
Distribution pillar 202, height 2010 mm, with PVC mounting panel 1000 x 278 x 6 mm (H x W x D)	2010	361	277	1	VS 202 ST MP	93264-0211
Distribution pillar 202, height 2010 mm, with busbar system (4-conductor E-Cu 30 x 6 mm), fits max. 2 installation units	2010	361	277	1	VS 202 ST SS	93264-0312

Distribution pillars

► Technical data, 406
 Dimensional drawing, page 407
 Accessories from page 386



93272-0010

Distribution pillar, height 2010 mm, degree of protection IP44

Features:

- Made of glass-fibre-reinforced polyester of type FS 833.5 in accordance with DIN 16913
- Colour: RAL 7035 light grey
- Empty pillars and variant with mounting panel = double locking, one lock cylinder installed
- Distribution pillar with busbar = single-locking

Designation	Height	Width	Depth	PU	Product designation	Order no.
Distribution pillar 205, height 2010 mm	2010	583	277	1	VS 205 ST L	93272-0010
Distribution pillar 205, height 2010 mm, with PVC mounting panel 1000 x 500 x 6 mm (H x W x D)	2010	583	277	1	VS 205 ST MP	93272-0211
Distribution pillar 205, height 2010 mm, with busbar system (4-conductor E-Cu 30 x 6 mm), fits max. 4 installation units	2010	583	277	1	VS 205 ST SS	93272-0312



93282-0010

Distribution pillar, height 2010 mm, degree of protection IP44

Features:

- Made of glass-fibre-reinforced polyester of type FS 833.5 in accordance with DIN 16913
- Colour: RAL 7035 light grey
- Empty pillars and variant with mounting panel = double locking, one lock cylinder installed
- Distribution pillar with busbar = single-locking

Designation	Height	Width	Depth	PU	Product designation	Order no.
Distribution pillar 207, height 2010 mm	2010	839	277	1	VS 207 ST L	93282-0010
Distribution pillar 207, height 2010 mm, with PVC mounting panel 1000 x 756 x 6 mm (H x W x D)	2010	839	277	1	VS 207 ST MP	93282-0211
Distribution pillar 207, height 2010 mm, with busbar system (4-conductor E-Cu 30 x 6 mm), fits max. 7 installation units	2010	839	277	1	VS 207 ST SS	93282-0312

Accessories for distribution cabinets Accessories for assembly



93835-0010

Base for distribution cabinets, size 00 and 0

Designation	Height	Width	Depth	PU	Product designation	Order no.
In-ground base, size 00 / 900 mm (kit)	900	480	315	1	Eingrabsockel Gr. 00, 900 mm	93835-0010
In-ground base, size 0 / 900 mm (kit)	900	585	315	1	Eingrabsockel Gr. 0 / 900 mm	93810-1010
In-ground base, size 0 / 1125 mm, flood-proofing (kit)	1125	585	315	1	Eingrabsockel Gr. 0 / 1125 mm	93835-1020
Floor-mounted base, size 0 / 250 mm	250	585	315	1	Bodenaufbausockel Gr. 0 / 250 mm	93835-1030
Wall bracket, size 0 with cover plate, 4 x drop-in stepped nipple grommets for cables of 50 - 185 mm ²	640	585	315	1	Wandkonsole Gr. 0	93835-1040
In-ground base, fairground, size 0, with 4 cable inlets	900	585	315	1	Eingrabsockel Gr. 0, FP - 4 Kabeleinf.	93835-1050
Floor-mounted base, fairground, size 0, with 4 cable inlets	250	585	315	1	Bodenaufbausockel Gr. 0 FP, 4 Kabelf.	93835-1055



93835-0110

Base for distribution cabinets, size 1

Designation	Height	Width	Depth	PU	Product designation	Order no.
In-ground base, size 1 / 900 mm (kit)	900	780	315	1	Eingrabsockel Gr. 1 / 900 mm	93835-0110
In-ground base, size 1 / 1125 mm, flood-proofing (kit)	1125	780	315	1	Eingrabsockel Gr. 1 / 1125 mm	93835-0120
Floor-mounted base, size 1 / 250 mm	250	780	315	1	Bodenaufbausockel Gr. 1 / 250 mm	93835-0130
Wall bracket, size 1 with cover plate, 6 x drop-in stepped nipple grommets for cables of 50 - 185 mm ²	640	780	315	1	Wandkonsole Gr. 1	93835-0140
In-ground base, fairground, size 1, with 6 cable inlets	900	780	315	1	Eingrabsockel Gr. 1, FP - 6 Kabeleinf.	93835-0150
Floor-mounted base, fairground, size 1, with 6 cable inlets	250	780	315	1	Bodenaufbausockel Gr. 1 FP, 6 Kabelf.	93835-0155

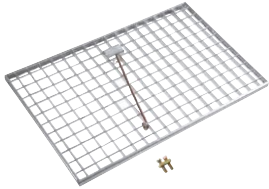


93835-0210

Base for distribution cabinets, size 2

Designation	Height	Width	Depth	PU	Product designation	Order no.
In-ground base, size 2 / 900 mm (kit)	900	1110	315	1	Eingrabsockel Gr. 2 / 900 mm	93835-0210
In-ground base, size 2 / 1125 mm, flood-proofing (kit)	1125	1110	315	1	Eingrabsockel Gr. 2 / 1125 mm	93835-0220
Floor-mounted base, size 2 / 250 mm	250	1110	315	1	Bodenaufbausockel Gr. 2 / 250 mm	93835-0230
Wall bracket, size 2 with cover plate, 9 x drop-in stepped nipple grommets for cables of 50 - 185 mm ²	640	1110	315	1	Wandkonsole Gr. 2	93835-0240
In-ground base, fairground, size 2, with 9 cable inlets	900	1110	315	1	Eingrabsockel Gr. 2, FP - 9 Kabeleinf.	93835-0250
Floor-mounted base, fairground, size 2, with 9 cable inlets	250	1110	315	1	Bodenaufbausockel Gr. 9 FP, 9 Kabelf.	93835-0255

Accessories for distribution cabinets and distribution pillars Accessories for assembly



93825-9756

Steel floor grid

Designation	PU	Product designation	Order no.
Steel floor grid kit VS 142/162	1	Bodenrost-Stahlblech Set für VS 142	93825-0266
Steel floor grid kit for distribution cabinet, size 00	1	Bodenrost-Stahlblech Set für KVS Gr. 00	93825-0269
Steel floor grid kit for distribution cabinet, size 0	1	Bodenrost-Stahlblech Set für KVS Gr. 0	93825-0270
Steel floor grid kit for distribution cabinet, size 1	1	Bodenrost-Stahlblech Set für KVS Gr. 1	93825-0271
Steel floor grid kit for distribution cabinet, size 2	1	Bodenrost-Stahlblech Set für KVS Gr. 2	93825-0272
Steel floor grid kit VS 152/172/202	1	Bodenrost-Stahlblech Set für VS 152	93825-0273
Steel floor grid kit VS 155/175/205	1	Bodenrost-Stahlblech Set für VS 155	93825-0274
Steel floor grid kit VS 157/177/207	1	Bodenrost-Stahlblech Set für VS 157	93825-0275



93820-5075

Base filler

Features:

Filler material to reduce the accumulation of condensed water in enclosures located outdoors.

distribution cabinet 154 Flat = 1 bag
 Distribution cabinet, size 00 and 0 = 2 bags
 Distribution cabinet, size 1 and 2 = 3 bags

Distribution pillar
 115, 135, 142, 152, 153, 154, 162, 172, 173, 202 = 1 bag
 Distribution pillar 155, 175, 176, 205 = 2 bags
 Distribution pillar 157, 177, 207 = 3 bags

Designation	PU	Product designation	Order no.
Filler material to reduce the accumulation of condensed water in enclosures located outdoors. The fill height should be approx. 200 - 300 mm. 1 bag = 25 litres	1	Sockelfüller 25L	93820-5075

Accessories for assembly

Busbar kit for distribution cabinets

Features:

- Tin-plated busbar surface
- Width 30 mm
- Clinch nut M12 fitted symmetrically in 100-mm grid
- Insulator bracket with mounting material

Designation	PU	Product designation	Order no.
Busbar kit, size 00, length 386 mm, E-Cu 3 x external-conductor busbar 30 x 6 mm (4 x M12), PEN/N bar 30 x 5 mm (5 x M12), insulator bracket and mounting material	1	Sammelschienen-Bausatz KVS Gr. 00	93820-8570
Busbar kit, size 0, length 491 mm, E-Cu 3 x external-conductor busbar 30 x 6 mm (5 x M12), PEN/N bar 30 x 5 mm (6 x M12), insulator bracket and mounting material	1	Sammelschienen-Bausatz KVS Gr. 0	93820-8579
Busbar kit, size 1, length 686 mm, E-Cu 3 x external-conductor busbar 30 x 6 mm (7 x M12), PEN/N bar 30 x 5 mm (8 x M12), insulator bracket and mounting material	1	Sammelschienen-Bausatz KVS Gr. 01	93820-8580
Busbar kit, size 2, length 1016 mm, E-Cu 3 x external-conductor busbar 30 x 8 mm (10 x M12), PEN/N bar 30 x 6 mm (11 x M12), insulator bracket and mounting material	1	Sammelschienen-Bausatz KVS Gr. 02	93820-8581

Terminals with terminal bolt M12 x 55

Features:

- 50 mm² re / 35 - 70 mm² rm / 50 - 185 mm² se / 35 - 150 mm² sm
- Torque 40 Nm
- For further terminal variants see **EFEN catalogue, NZ accessories**

Designation	PU	Product designation	Order no.
Terminal clamp with terminal bolt M12 x 55	1	Direkt-Anschlussklemme mit M12 x 55	Auf Anfrage
Terminal double clamp with terminal bolt M12 x 55	1	Direkt-Doppelanschlussklemme mit M12 x 55	Auf Anfrage

Distribution cabinet lighting 15 W

Features:

- Cannot be used in flat-design enclosures.



93820-5924

Designation	PU	Product designation	Order no.
Distribution cabinet lighting with switch and Schuko socket, 10 A	1	Schaltschrankbeleuchtung 10A	93820-5924

Accessories for assembly



93820-0138

Safety cover

Features:

- Various accessories to increase protection against contact

Designation	PU	Product designation	Order no.
Safety cover for busbars with symmetric bores, 102 x 560 mm (W x H) for distribution cabinets and pillars	1	KVS/VS Berührungsschutz SS Sym. Lo.	93820-7930
Safety cover for busbars used with V-type feed clamps 100 x 560 mm (W x H) for distribution cabinets and pillars	1	KVS/VS Berührungsschutz SS V-Kl.	93820-0138
Cover for lateral construction-site connection Ø 55 mm	1	VS-Abdeckung f. Baustellenanschl. 55 mm ²	93820-9626
Retrofit kit, size 00 to increase protection against contact of distribution cabinets from IP43 to IP44	1	Nachrüstatz KVS Gr. 00 IP44	93808-0000
Retrofit kit, size 0 to increase protection against contact of distribution cabinets from IP43 to IP44	1	Nachrüstatz KVS Gr. 0 IP44	93808-0010
Retrofit kit, size 1 to increase protection against contact of distribution cabinets from IP43 to IP44	1	Nachrüstatz KVS Gr. 1 IP44	93808-0020
Retrofit kit, size 2 to increase protection against contact of distribution cabinets from IP43 to IP44	1	Nachrüstatz KVS Gr. 2 IP44	93808-0030

For NH fuse-rails and NH fuse-switches refer to the EFEN catalogue.
Performance of services on request

Accessories for distribution cabinets and distribution pillars



93820-0994



93820-5517

Accessories for assembly

Designation	PU	Product designation	Order no.
Double-locking, complete without lock cylinder, standard	1	Doppelschließung, komplett ohne Profilhalbzylinder	93820-8842
Locking system, lock cylinder 40 mm, with 2 keys	1	Profil-Halbzylinder 40mm, 2 Schl.	93820-0994
Circuit diagram pocket, DIN A4, adhesive, RAL 7035	1	Schaltplantasche DIN A4	93820-5693
Circuit diagram pocket, DIN A5, adhesive, RAL 7035	1	Schaltplantasche DIN A5	93820-5593
Cabinet heating 33W, thermostatically controlled	1	Schrankheizung 33W	93820-5517
Door opening limiter for distribution cabinets, size 00 - 2, limits door opening angle to approx. 110°	1	KVS Türbegrenzer 110°	93820-9846
Auxiliary fuse holder for NH fuse-links 3 x NH2	1	KVS/VS R.-Sicherungshalter 3 x NH2	93820-5038

Mounting panels for distribution pillars



93840-1420

Mounting panels for distribution pillars

Features:

- Mounting panels made of PVC
- Selection table, page 34

Designation	PU	Product designation	Order no.
Mounting panel for VS 142 PVC 600 x 276 x 6	1	VS 142 Montageplatte 600x276x6	93840-1420
Mounting panel for VS 162 PVC 800 x 276 x 6	1	VS 162 Montageplatte 800x276x6	93840-1620
Mounting panel for VS 152 PVC 700 x 278 x 6	1	VS 152 Montageplatte 700x278x6	93840-1520
Mounting panel for VS 155 PVC 700 x 500 x 6	1	VS 155 Montageplatte 700x500x6	93840-1550
Mounting panel for VS 157 PVC 700 x 756 x 6	1	VS 157 Montageplatte 700x756x6	93840-1570
Mounting panel for VS 172 PVC 850 x 278 x 6	1	VS 172 Montageplatte 850x278x6	93840-1720
Mounting panel for VS 175 PVC 850 x 500 x 6	1	VS 175 Montageplatte 850x500x6	93840-1750
Mounting panel for VS 177 PVC 850 x 756 x 6	1	VS 177 Montageplatte 850x756x6	93840-1770
Mounting panel for VS 202 PVC 1000 x 278 x 6	1	VS 202 Montageplatte 1000x278x6	93840-2020
Mounting panel for VS 205 PVC 1000 x 500 x 6	1	VS 205 Montageplatte 1000x500x6	93840-2050
Mounting panel for VS 207 PVC 1000 x 756 x 6	1	VS 207 Montageplatte 1000x756x6	93840-2070



93850-1540

Mounting kits for distribution pillars

Designation	PU	Product designation	Order no.
Mounting kit for VS 142/162 with membrane flange in inlet	1	Befestigungssatz mit Membranflansch VS 142/162	93850-1420
Mounting kit VS 162 with membrane flange	1	Befestigungssatz mit Membranflansch VS 162	93850-0051
Mounting kit for VS 155/175 with membrane flange in inlet	1	Befestigungssatz mit Membranflansch VS 155/175	93850-1540
Mounting kit for VS 157/177 with membrane flange in inlet	1	Befestigungssatz mit Membranflansch VS 157/177	93850-1570
Mounting kit for VS 202 with membrane flange in inlet	1	Befestigungssatz mit Membranflansch VS 202	93850-2020
Mounting kit for VS 205 with membrane flange in inlet	1	Befestigungssatz mit Membranflansch VS 205	93850-2040
Mounting kit for VS 207 with membrane flange in inlet	1	Befestigungssatz mit Membranflansch VS207	93850-2070

Accessories for distribution cabinets and distribution pillars

► Technical data, 392
Dimensional drawing, page 392



Application example



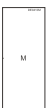



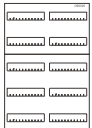

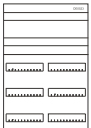
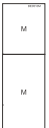
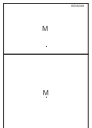



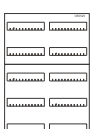

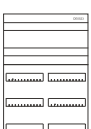





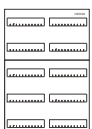

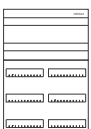
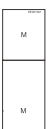
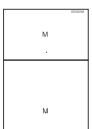
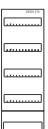

Installation fields for distribution pillars

Designation	Height	Width	Depth	PU	Product designation	Order no.
Installation field 142/162 for rail-mounted devices, width 250 mm, rail spacing 150 mm	600	250	0	1	EBF VS 142/166 REG48 250 mm	93845-0419
Installation field 142/162 for rail-mounted devices and terminal, width 250 mm, rail spacing 150 mm	600	250	0	1	EBF VS 142/166 REG48/KL 250 mm	93845-0413
Installation field for mounting panel 142/162 on underground angle, width 250 mm	600	250	0	1	EBF VS 142/162 Montagepl. 250 mm	93845-0410
Installation field 142/162 for rail-mounted devices, terminals and 2 x NH circuit breaker, size 00, width 250 mm, rail spacing 150 mm	600	250	0	1	EBF VS 142/166 REG48/KL/ NT 2 x Gr. 00 250 mm	93845-0411
Installation field 142/162 for NH circuit breaker, size 1, width 250 mm, rail spacing 150 mm	600	250	0	1	EBF VS 142/166 NT 1 x Gr. 1 250 mm	93845-0412
Installation field 152 - 177 for rail-mounted devices, width 250 mm, rail spacing 150 mm	750	250	100	1	EBF VS 152 - 177 REG60 250 mm	93845-0515
Installation field 152 - 177 for rail-mounted devices, width 500 mm, rail spacing 150 mm	750	500	130	1	EBF VS 152 - 177 REG120/KL 250 mm	93845-0525
Installation field 152 - 177 f or rail-mounted devices and terminals, width 250 mm, rail spacing 150 mm	750	250	100	1	EBF VS 152 - 177 REG60/KL 250 mm	93845-0513
Installation field 152 - 177 for rail-mounted devices and terminals, width 500 mm, rail spacing 150 mm	750	500	130	1	EBF VS 152 - 177 REG120/KL 500 mm	93845-0523
Installation field for mounting panel 152 - 177 on underground angle, width 250 mm	750	250	0	1	EBF VS 152 - 177 Montagepl. 250 mm	93845-0510
Installation field for mounting panel 152 - 177 on underground angle, width 500 mm	750	500	130	1	EBF VS 152 - 177 Montagepl. 500 mm	93845-0520
Installation field 152 - 177 for rail-mounted devices, terminals and 2 x NH circuit breaker, size 00, width 250 mm, rail spacing 150 mm	750	250	0	1	EBF VS 142-177 REG48/KL/NT 1 x Gr. 1 250 mm	93845-0511
Installation field 152 - 177 for NH circuit breaker, size 1, width 250 mm, rail spacing 150 mm	750	250	0	1	EBF VS 152 - 177 NT 1 x Gr. 1 250 mm	93845-0512
Installation field 202 - 207 for rail-mounted devices, width 250 mm, rail spacing 150 mm	900	250	130	1	EBF VS 202 - 207 REG72 250 mm	93845-0616
Installation field 202 - 207 for rail-mounted devices, width 500 mm, rail spacing 150 mm	900	500	130	1	EBF VS 202 - 207 REG144 500 mm	93845-0626
Installation field 202 - 207 f or rail-mounted devices and terminals, width 250 mm, rail spacing 150 mm	900	250	130	1	EBF VS 202 - 207 REG72/KL 250 mm	93845-0614
Installation field 202 - 207 for rail-mounted devices and terminals, width 500 mm, rail spacing 150 mm	900	500	130	1	EBF VS 202 - 207 REG144/KL 500 mm	93845-0624
Installation field for mounting panel 202 - 207 on underground angle, width 250 mm	900	250	130	1	EBF VS 202 - 207 Montagepl. 250 mm	93845-0610
Installation field for mounting panel 202 - 207 on underground angle, width 500 mm	900	500	130	1	EBF VS 202 - 207 Montagepl. 500 mm	93845-0620
Installation field 202 - 207 for rail-mounted installation devices, terminals and 2 x NH circuit breaker, size 00, width 250 mm, rail spacing 150 mm	900	250	130	1	EBF VS 202 - 207 REG72/KL/NT 2 x Gr. 00 250 mm	93845-0618
Installation field 202 - 207 for NH circuit breaker, size 1, width 250 mm, rail spacing 150 mm	900	250	0	1	EBF VS 202 - 207 NT 1 x Gr. 1 250 mm	93845-0613

Mounting kits with membrane flange in inlet.
For further flanges see section Accessories

Installation fields for rail spacing 150 mm

For installation in all empty pillars. Without N- and PE bars. Distribution fields, built in accordance with IEC 439-3 / EN 60439-3 / DIN VDE 0660 part 504 / DIN VDE 43880. Circuit breaker fields are prepared for the installation of horizontal-design NH fuse-switches. Use matching covers.

			for rail-mounted devices		for rail-mounted devices and terminals		for mounting panels on underground angles with contact protection		for REG, terminals and 2 NH fuse-switches size 00	for NH fuse-switches size 1
			250 mm	500 mm	250 mm	500 mm	250 mm	500 mm	250 mm	500 mm
93850-1420 for SL142/162			93845-0419  48 REG		93845-0413  48 REG		93845-0410  48 REG		93845-0411  48 REG	93845-0412  48 REG
93820-0051 for SL152	93850-1540 for SL155	93850-1570 for SL157	93845-0515  60 REG	93845-0525  120 REG	93845-0513  60 REG	93845-0523  120 REG	93845-0510  60 REG	93845-0520  120 REG	93845-0511  60 REG	93845-0512  60 REG
93845-0051 for SL172	93850-1540 for SL175	93850-1570 for SL177	93845-0515  60 REG	93845-0525  120 REG	93845-0513  60 REG	93845-0523  120 REG	93845-0510  60 REG	93845-0520  120 REG	93845-0511  60 REG	93845-0512  60 REG
93850-2020 for SL202	93850-2040 for SL205	93850-2070 for SL207	93845-0616  60 REG	93845-0626  120 REG	93845-0614  60 REG	93845-0624  120 REG	93845-0610  60 REG	93845-0620  120 REG	93845-0618  60 REG	93845-0613  60 REG

Distribution cabinets, flat design

System description

Type:

Degree of protection: IP44

Material:

Glass-fibre-reinforced polyester of type FS 833.5 in accordance with DIN 16913

Colour:

RAL 7035 light grey

Dimensions:

See dimensional drawing

Locking:

Single-locking

Base:

Cable mounting rail made of angled steel 40x40x3 mm

Installations (upon request):

- Mounting panel
- NH fuse-rails, size 2
- Vertical-design NH fuse-switches, size 00

Benefits:

- Extremely low-profiled outer dimension of only 220 mm
- Installation depth of 190 mm in accordance with the standard dimension specified in DIN 43629
- Entire installation depth can be used thanks to innovative locking system, patent DE 3903118 C2
- Modern, corrugated design
- Cabinet parts can be painted upon request
- Hinged door with 3 latches, hinged on left-hand or right-hand side
- Optimised breaking point to prevent avoidable earthwork

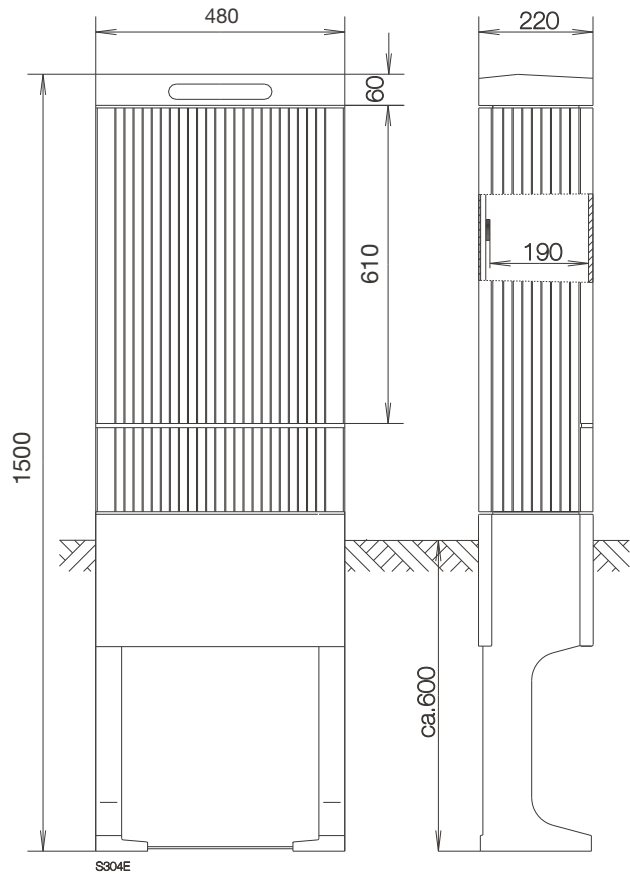
Note:

It is recommended to fit safety covers to distribution cabinets equipped with busbar systems with unused installation spaces.

Distribution cabinets, flat design

Dimensional drawings

Series 154: 93191-0000, 93191-0201



Distribution cabinets, size 00, 0, 1, 2

System description

Type:

Degree of protection: IP44
 Glass-fibre-reinforced polyester of type FS 833.5 in accordance with DIN 16913
 The cabinets comply with DIN EN 61439-5

Colour:

RAL 7035 light grey

Dimensions:

Distribution cabinet in accordance with DIN 43629
 Distribution cabinet, size 0/845 - 845x585x315 mm (HxWxD)
 Distribution cabinet, size 1/845 - 845x780x315 mm (HxWxD)
 Distribution cabinet, size 2/845 - 845x1110x315 mm (HxWxD)

Distribution cabinet in accordance with DIN 43629, part 1
 Distribution cabinet, size 0/1005- 1005x585x315 mm (HxWxD)
 Distribution cabinet, size 0/1355- 1355x585x315 mm (HxWxD)
 Distribution cabinet, size 1/1005- 1005x780x315 mm (HxWxD)
 Distribution cabinet, size 1/1355- 1355x780x315 mm (HxWxD)
 Distribution cabinet, size 2/1005- 1005/x1110x315 mm (HxWxD)
 Distribution cabinet, size 2/1355- 1355/x1110x315 mm (HxWxD)

Distribution cabinet
 Distribution cabinet, size 00/845 - width 480/height 845/depth 315 mm

Locking:

- 3-point espagnolette lock
- Double-locking, one lock cylinder installed

Base:

- Lateral opening for 55-mm construction-site connection that can be closed from inside
- Cable mounting rail made of angled steel, 40 x 40 x 3 mm for bracket clamps
- Breaking point between cabinet and base prevents avoidable earthwork
- The fairground base can be used instead of the polyester base as an alternative

Enclosure:

- Modern, corrugated design
- Easy replacement of defective enclosure parts
- Recyclable as enclosure contains no press-fitted metal parts

Doors:

- 180° for stand-alone units, 90° for cabinets located side-by-side
- Doors are easy to install and remove to and from hinges
- Door hinges can be located on either side
- Cabinets of size 2 can be fitted with doors locking independently of each other (on request)

Ventilation:

Labyrinth-shaped ventilation ducts ensure air flow through the enclosure, preventing the ingress of foreign objects and poking.

Foundation:

- In order to avoid dew inside the enclosure, it is recommended to fill the foundation up to the level of the cable mounting rail after assembly.
- Use base filler (25-l bag, 93820-5075), recommended fill height is 200 - 300 mm.
 Quantity required: for distribution cabinet, size 00, size 0 = 2 bags for distribution cabinet, size 1, size 2 = 3 bags

Distribution cabinet with asymmetric doors:

All distribution cabinets with asymmetric doors are fitted with a PVC mounting panel with partition wall. Left door and right door are fitted with double locking with a lock cylinder. A second cylinder can be added.

Cabinet type	Order no.	Door aperture W x H (mm)	
		left	right
SL 081 V	93110-0401	286 x 740	416 x 740
SL 082 V	93120-0401	274 x 740	757 x 740
SL 101 V	93112-0401	286 x 900	416 x 900
SL 102 V	93122-0401	274 x 900	757 x 900
SL 131 V	93113-0401	286 x 1250	416 x 1250
SL 132 V	93123-0401	274 x 1250	757 x 1250

Note:

It is recommended to fit safety covers to distribution cabinets equipped with busbar systems with unused installation spaces.

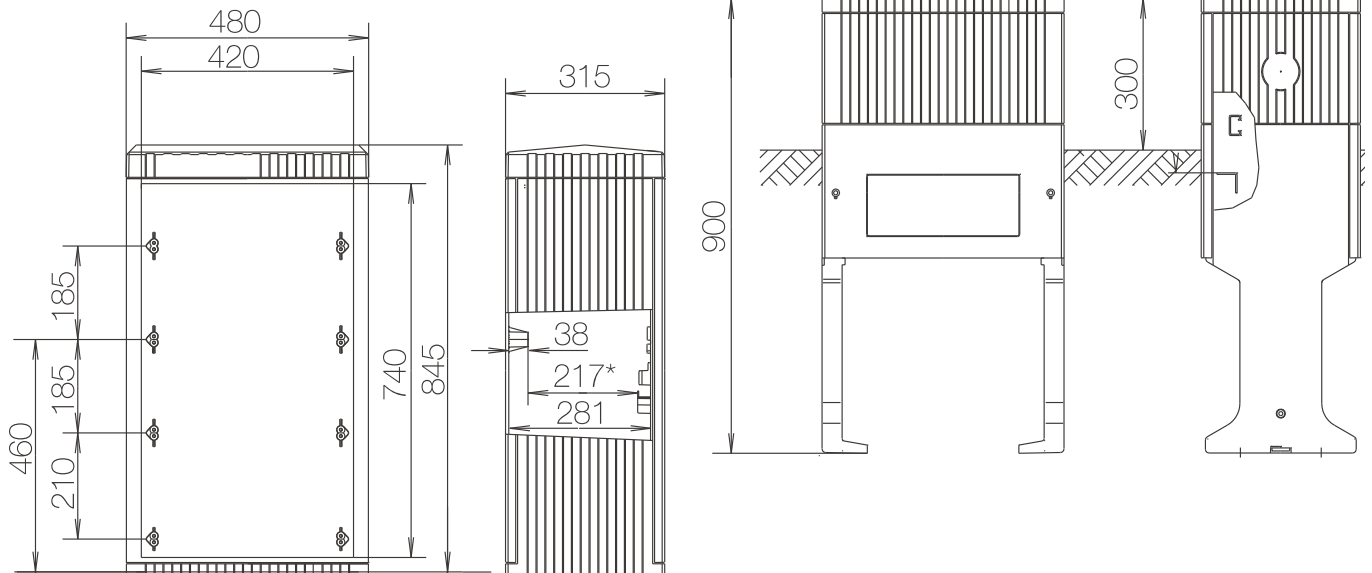
Distribution cabinets and base variants, size 00

Dimensional drawings

Size 00, height 845 mm: 93101-0302

Empty cabinet, one door

In-ground base: 93835-0010

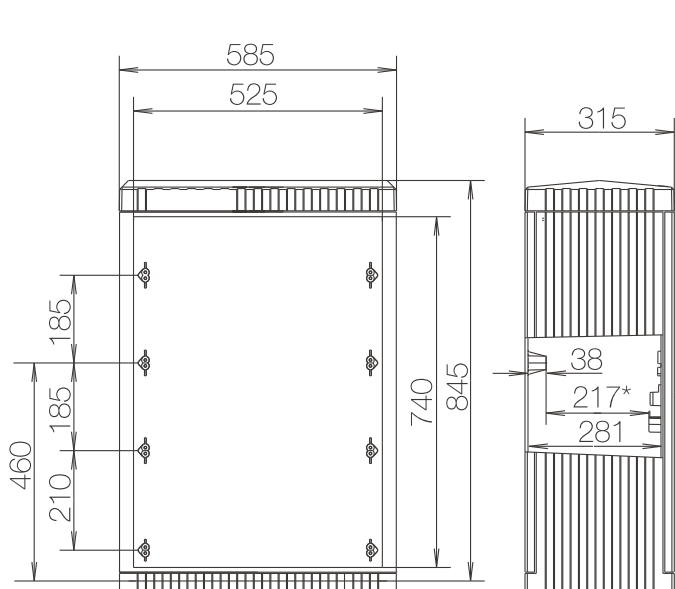


* Installation depth in lock area

Distribution cabinets, size 0 Dimensional drawings

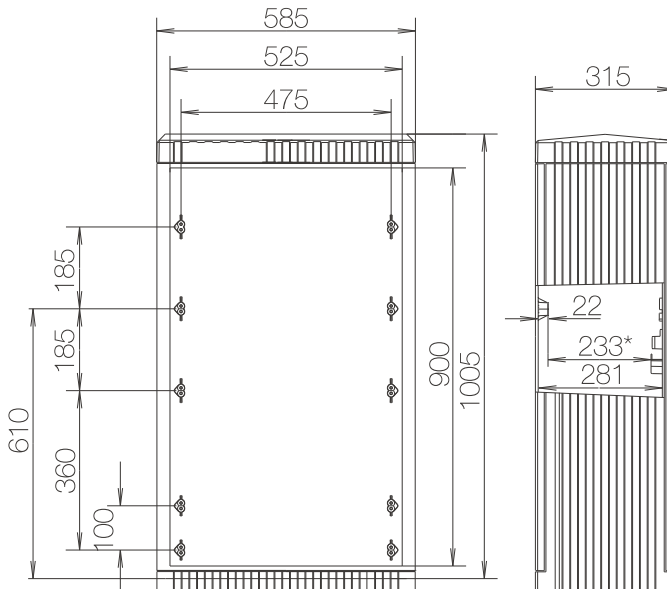
Size 0, height 845 mm: 93101-0000

Empty cabinet, one door



Size 0, height 1005 mm: 93102-0000

Empty cabinet, one door



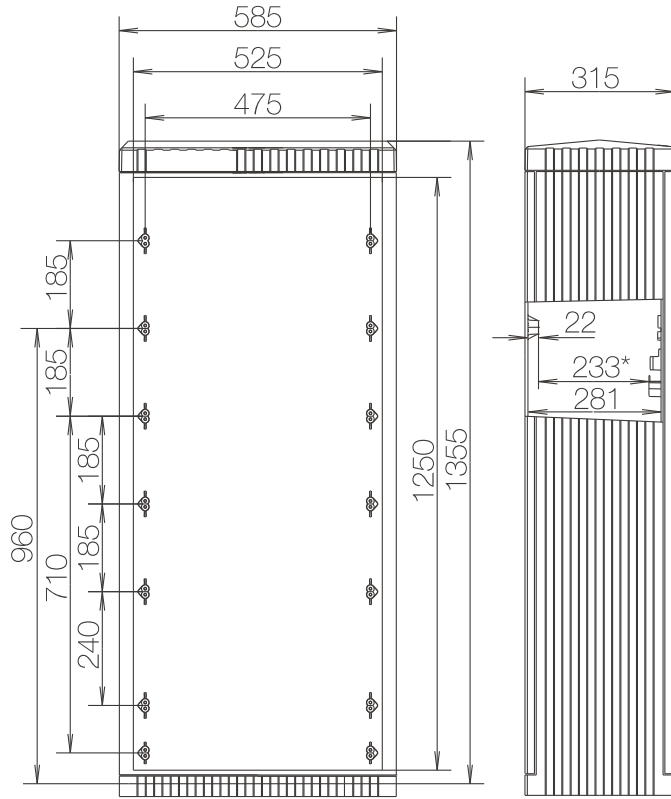
* Installation depth in lock area

Distribution cabinets and base variants, size 0

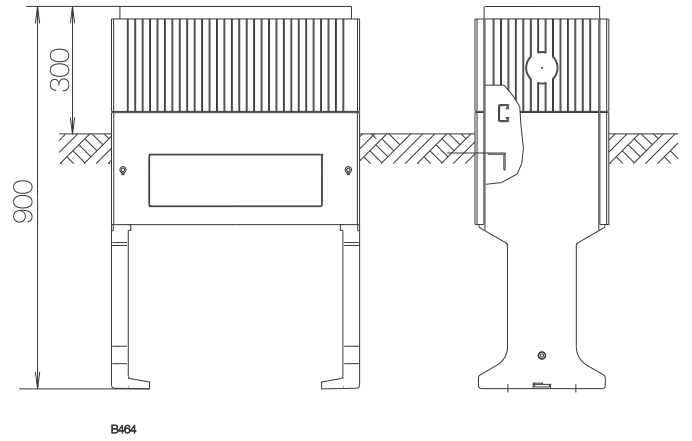
Dimensional drawings

Size 0, height 1355 mm: 93103-0000

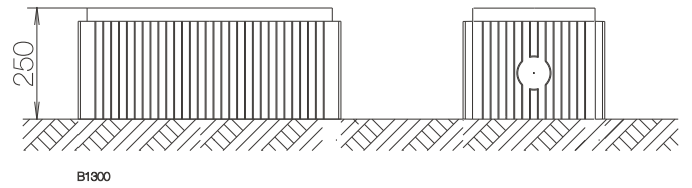
Empty cabinet, one door



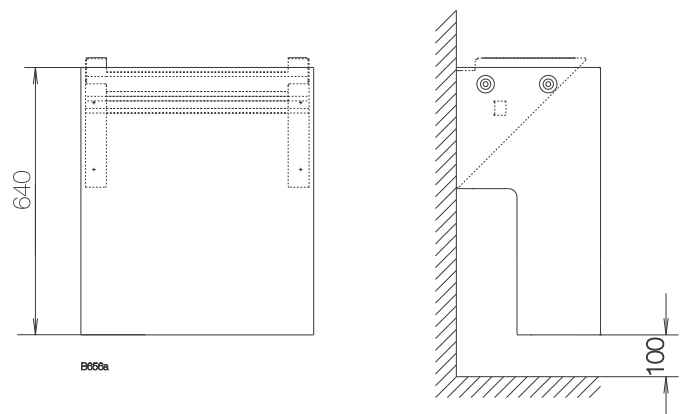
In-ground base: 93810-1010



Floor-mounted base: 93835-1020



Wall bracket: 93835-1030

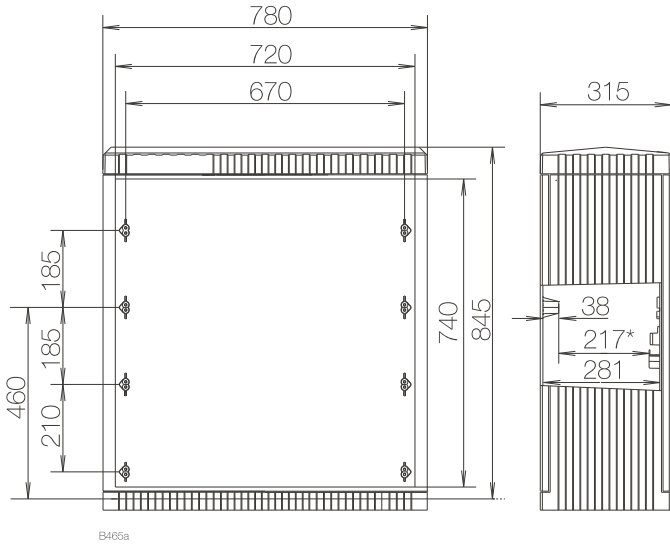


* Installation depth in lock area

Distribution cabinets, size 1 Dimensional drawings

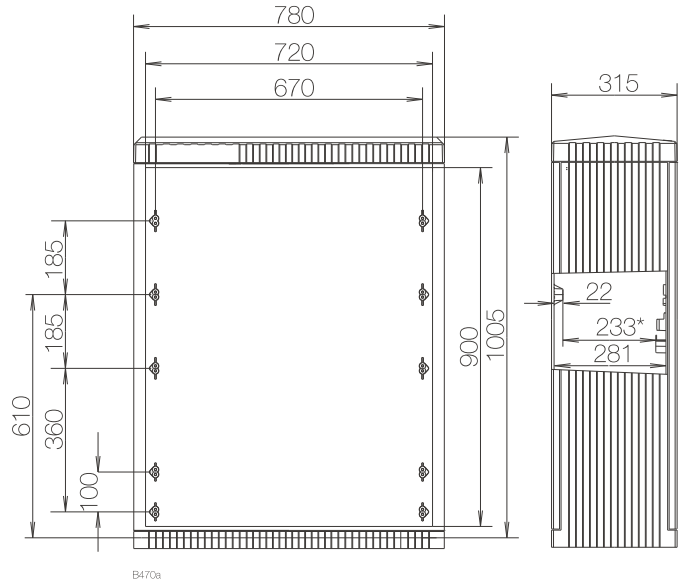
Size 1, height 845 mm: 93110-0000

Empty cabinet, one door



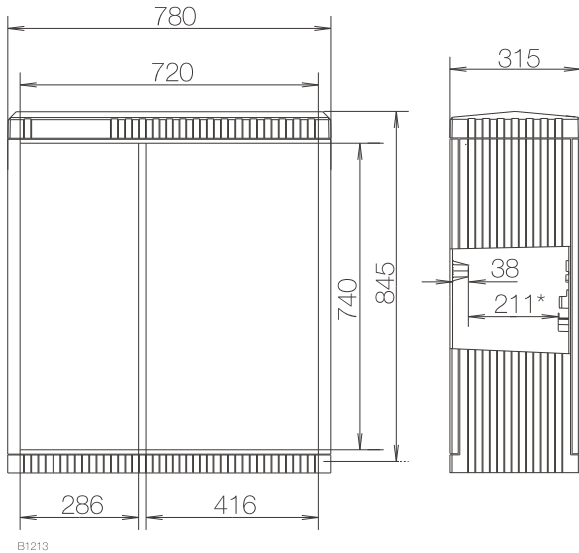
Size 1, height 1005 mm: 93112-0000

Empty cabinet, one door



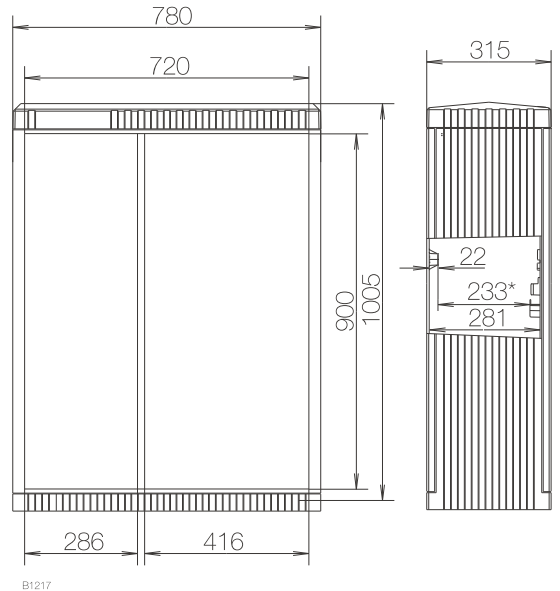
93110-0401

Distribution cabinet with asymmetric doors



93112-0401

Distribution cabinet with asymmetric doors



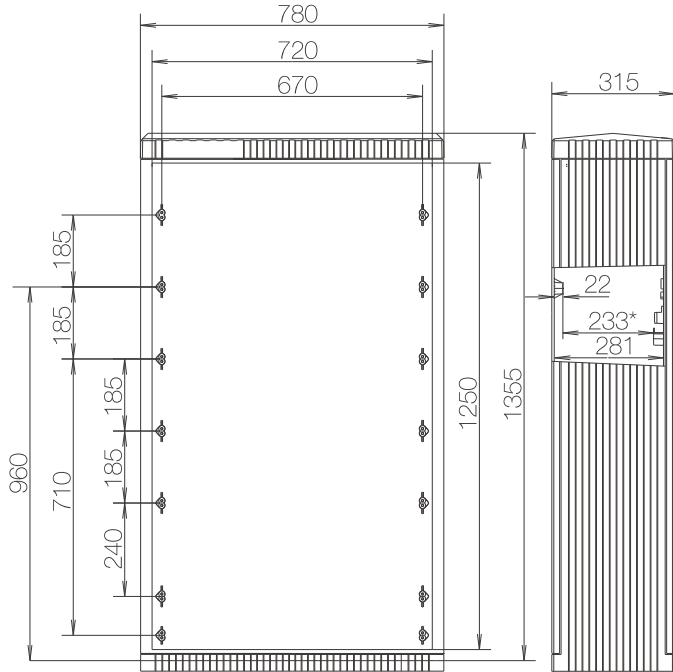
* Installation depth in lock area

Distribution cabinets and base variants, size 1

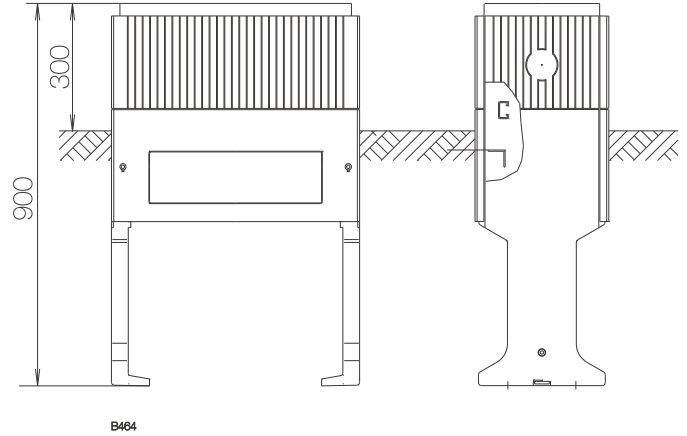
Dimensional drawings

Size 1, height 1355 mm: 93113-0000

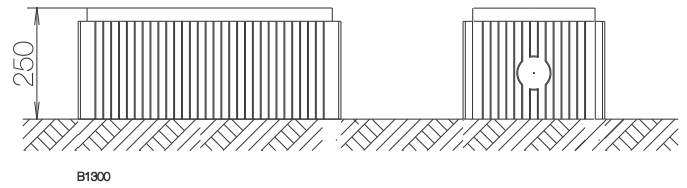
Empty cabinet, one door



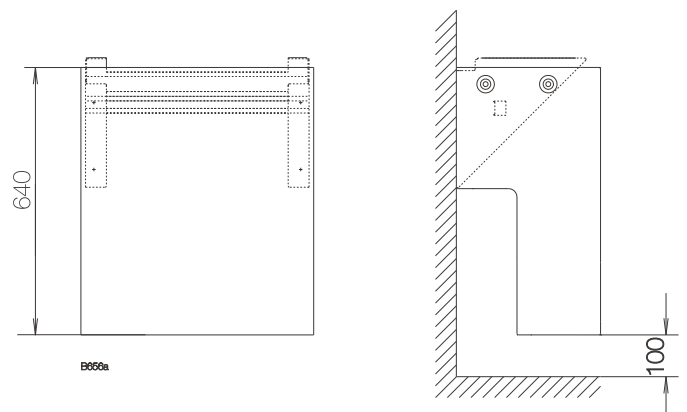
In-ground base: 93835-0110



Floor-mounted base: 93835-0130



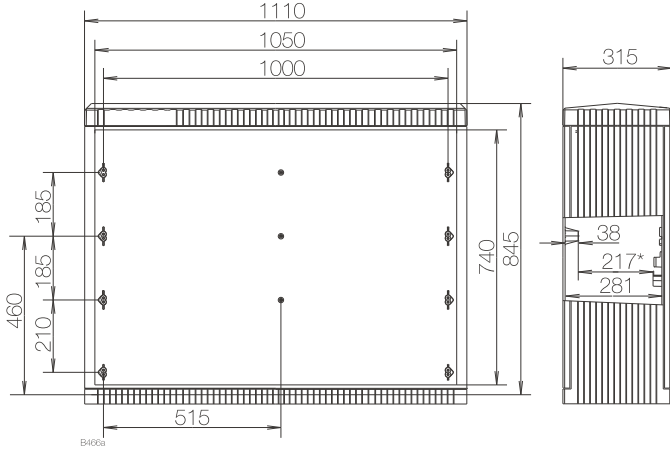
Wall bracket: 93835-0140



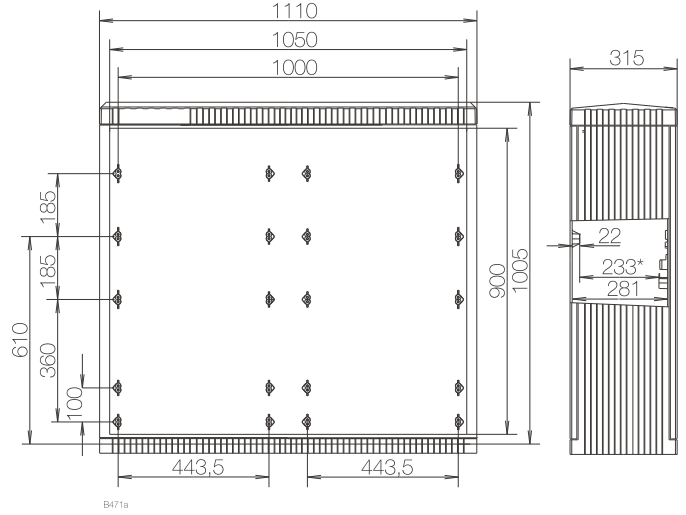
* Installation depth in lock area

Distribution cabinets, size 2 Dimensional drawings

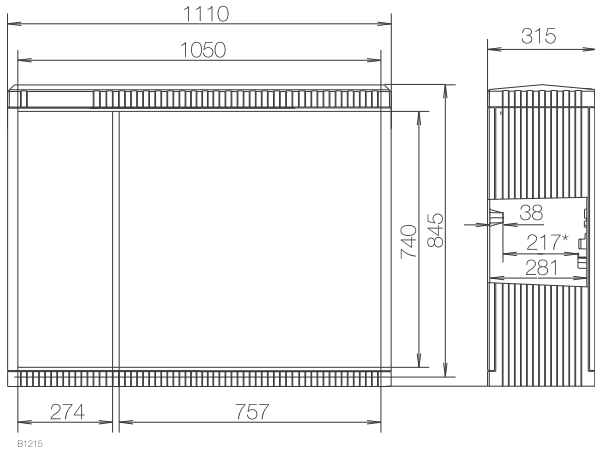
Size 2, height 845 mm: 93120-0000
Empty cabinet, two-door



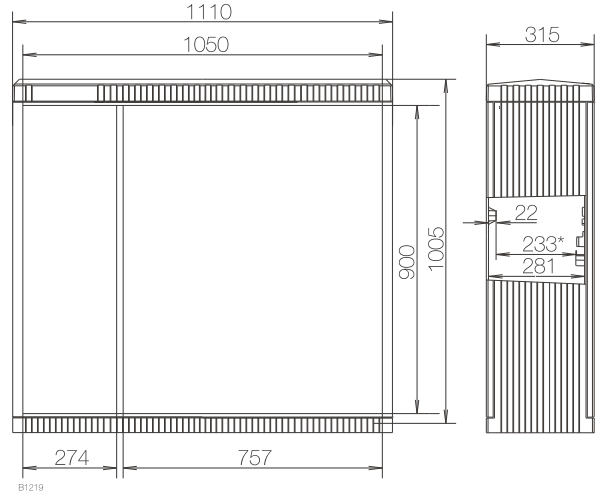
Size 2, height 1005 mm: 93122-0000
Empty cabinet, two-door



93120-0401
Distribution cabinet with asymmetric doors



93122-0401
Distribution cabinet with asymmetric doors



Distribution systems

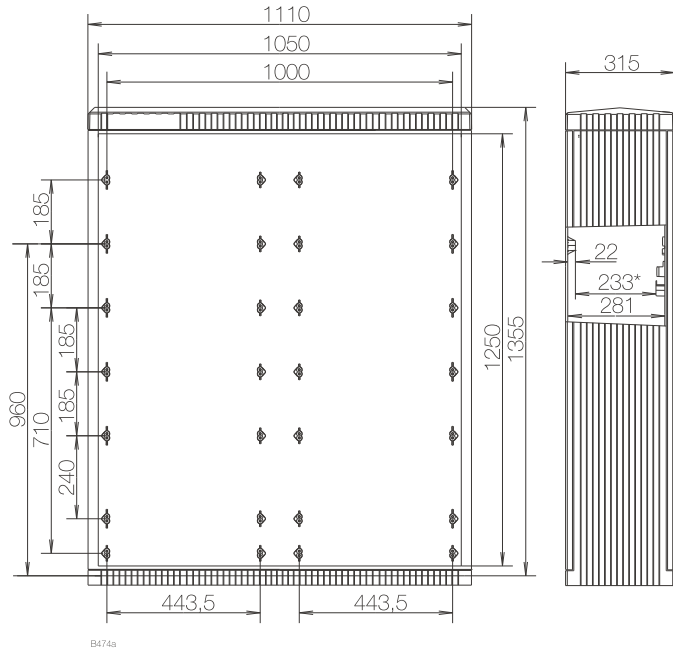
* Installation depth in lock area

Distribution cabinets and base variants, size 2

Dimensional drawings

Size 2, height 1355 mm: 93123-0000

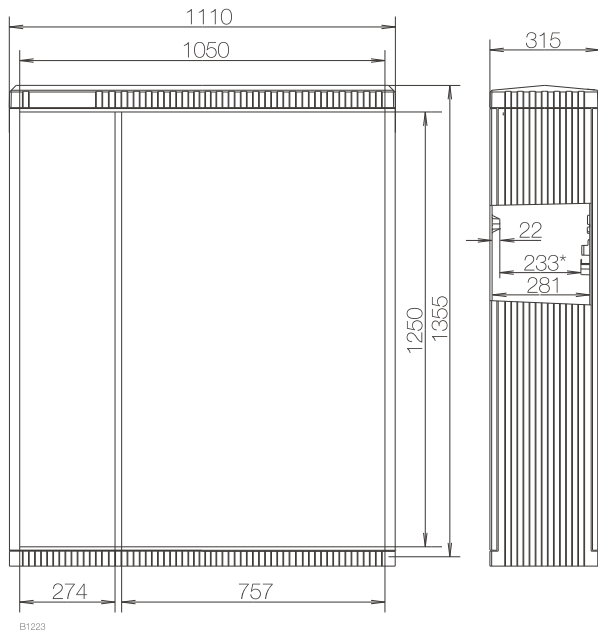
Empty cabinet, two-door



B474a

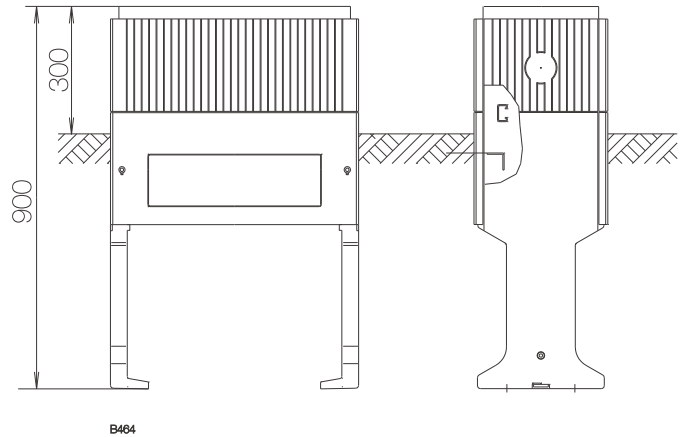
93123-0401

Distribution cabinet with asymmetric doors



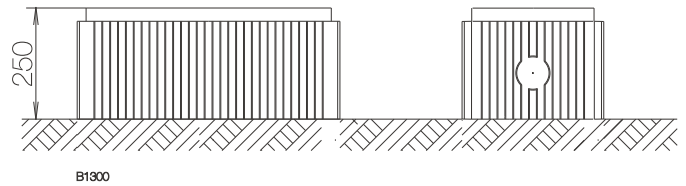
B1223

In-ground base: 93835-0210



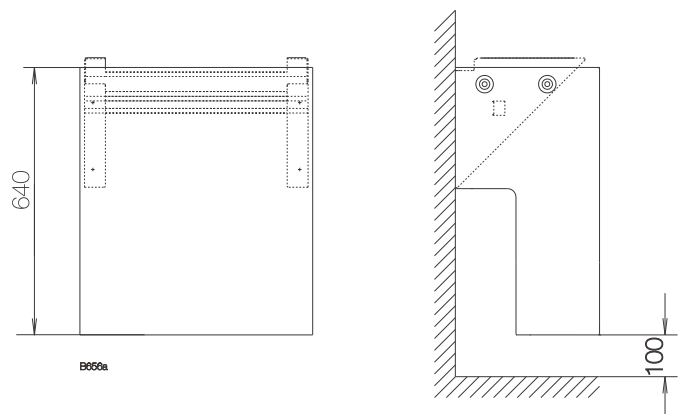
B464

Floor-mounted base: 93835-0230



B1300

Wall bracket: 93835-0240



B650a

* Installation depth in lock area

Distribution pillars, series 142, 162

System description

Type:

Degree of protection: IP44

Material:

Glass-fibre-reinforced polyester of type FS 833.5 in accordance with DIN 16913

Colour:

Light grey in accordance with RAL 7035

Dimensions:

See dimensional drawings

Door:

Plug-in door

Locking:

- Empty pillars and variant with mounting panel = double locking, one lock cylinder installed
- Distribution pillar with busbar = single-locking

Base:

Enclosure and base form one unit. Floor grid optional.

Installations (upon request):

- Mounting panel
- NH fuse-rails, size 2
- NH fuse-rails, size 00

Note:

In order to avoid dew inside enclosures installed on moist ground, it is recommended to fill the foundation up to the level of the cable mounting rail after assembly.
Use base filler (25-l bag, 93820-5075), the recommended fill height is 200 - 300 mm.

Product benefits

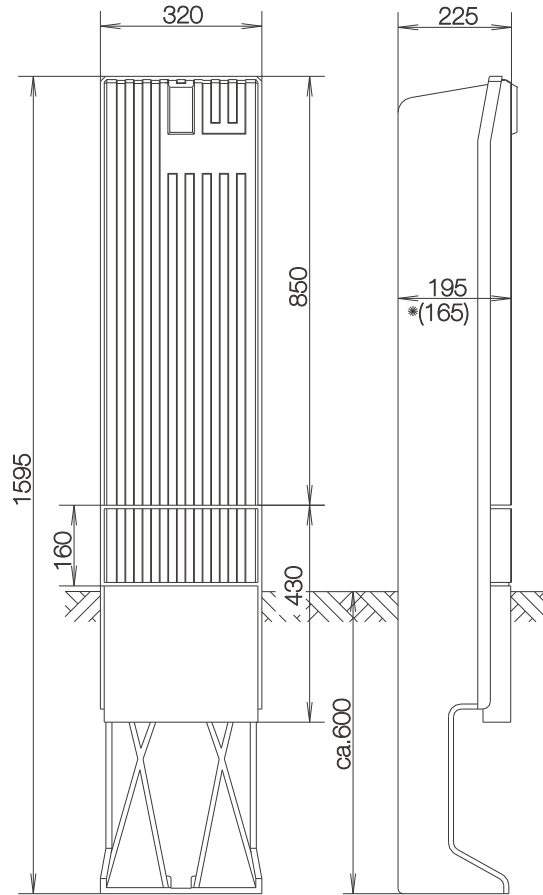
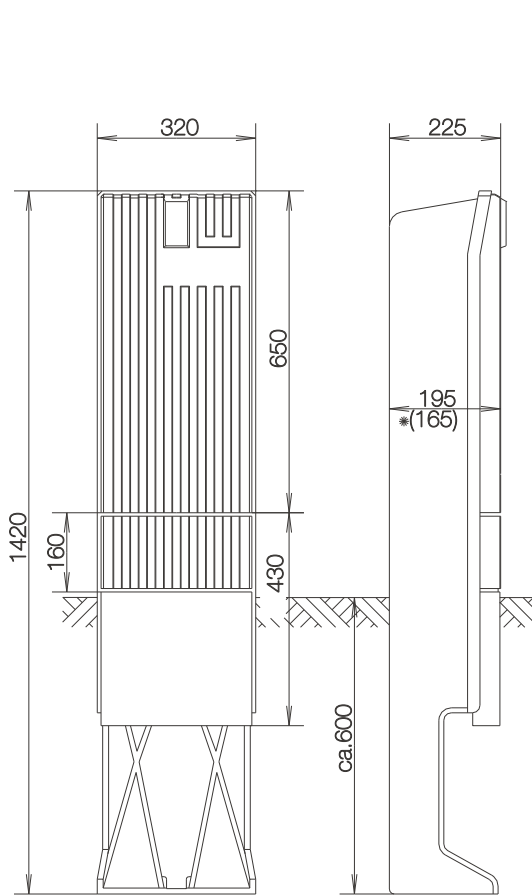
- Low height
- Compact dimensions
- Modern, corrugated design
- Pillar parts can be painted upon request
- Doors are easy to install and remove to and from hinges

Distribution pillars, series 142, 162

Dimensional drawings

Series 142: 93260-0010

Series 162: 93261-0010



Distribution pillars, series 152, 155, 157, 172, 175, 177, 202, 205, 207

System description

Type:

Degree of protection: IP44

Material:

Glass-fibre-reinforced polyester of type FS 833.5 in accordance with DIN 16913

Colour:

Light grey in accordance with RAL 7035

Dimensions:

See dimensional drawings

Locking:

- 3-point espagnolette lock
- Empty pillars and variant with mounting panel = double locking, one lock cylinder installed
- Distribution pillar with busbar = single-locking

Base:

Enclosure and base form one unit.

Installations (upon request):

- Mounting panel
- NH fuse-rails, size 2
- NH fuse-rails, size 00

Note:

In order to avoid dew inside enclosures installed on moist ground, it is recommended to fill the foundation up to the level of the cable mounting rail after assembly.
Use base filler (25-l bag, 93820-5075), the recommended fill height is 200 - 300 mm.

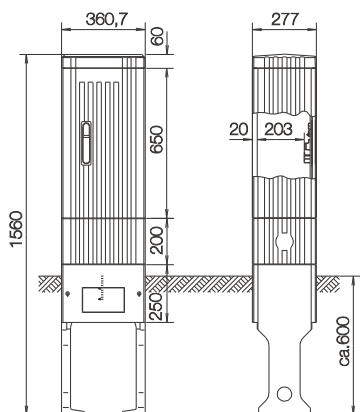
Product benefits

- Modern, corrugated design
- Recyclable as enclosure contains no press-fitted metal parts
- Pillar parts can be painted upon request
- Door handle with flush turn lever made of shockproof plastic
- Doors of stand-alone cabinets open up to 180°
- Pillar can be set up in tightly-spaced rows, doors opening up to 90°
- Doors are easy to install and remove to and from hinges
- Door hinges can be located on left-hand or right-hand side

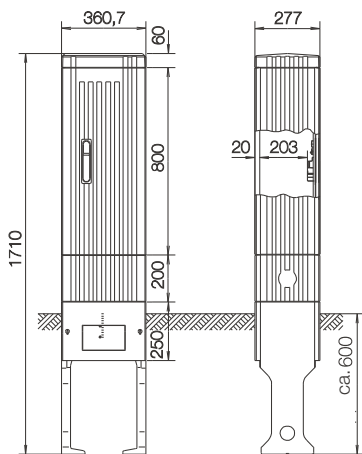
Distribution pillars, series 152, 155, 157, 172, 175, 177, 202, 205, 207

Dimensional drawings

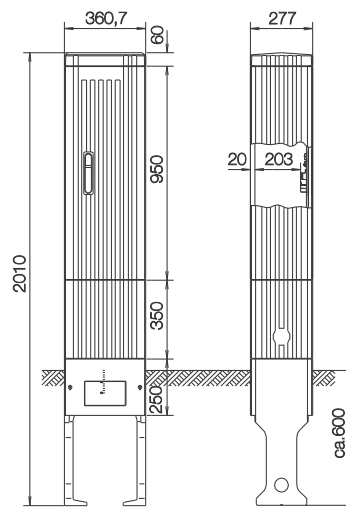
Series 152: 93262-0010



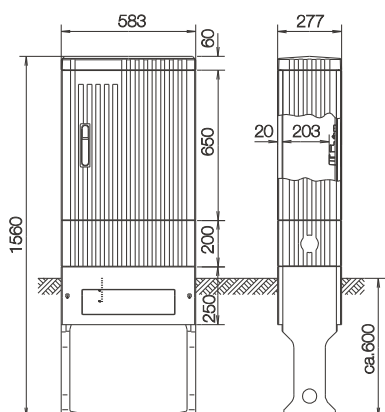
Series 172: 93263-0010



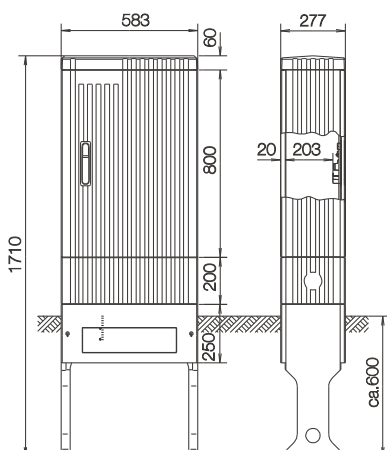
Series 202: 93264-0010



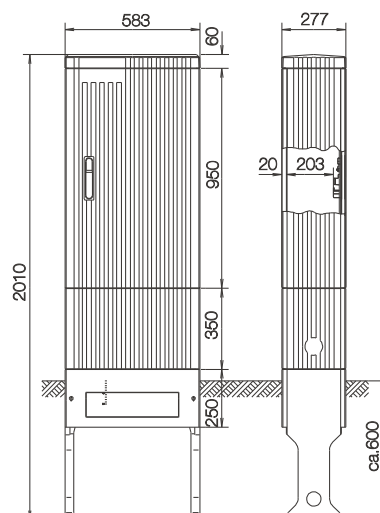
Series 155: 93270-0010



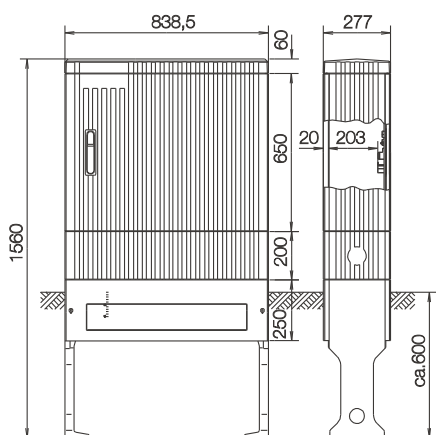
Series 175: 93271-0010



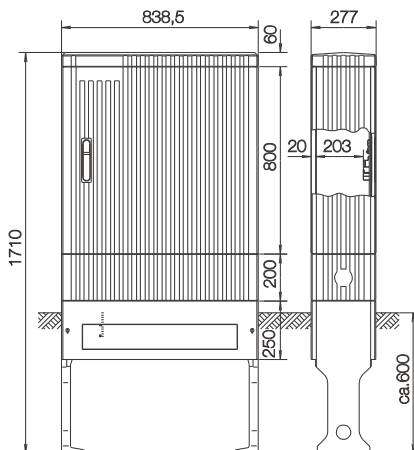
Series 205: 93272-0010



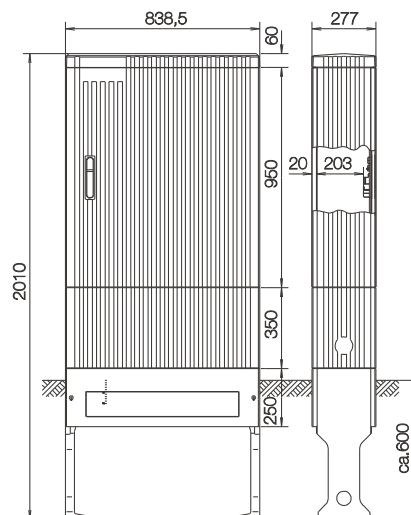
Series 157: 93280-0010



Series 177: 93281-0010



Series 207: 93282-0010



Distribution systems



Elegant Design: Distributors and House Service Pillars

For installation and operation of safe stationary and mobile power distribution systems, EFEN offers a wide comprehensive range of distribution and house service systems.

Distribution systems

System

EFEN's round distribution pillars for distribution and house service applications are visually appealing. Inconspicuous design for indoor and outdoor use.

Features

EFEN's power distributors for fairgrounds and market squares provide reliable functionality and operational safety in any weather. The modular design enables flexible selection of components and a multitude of variants to be realized thanks to pre-assembled installation units.



Elegant Power Distributors and House Service Pillars

Distribution pillar, round page 410

Distribution pillar, round, for market squares and fairgrounds page 411

House service pillar, round, pre-assembled page 412

Accessories page 413

Technical data page 414

Cross-Reference-List page 452

Appealing design

Reliable, safe and elegant design offers many new application options



TCS-compliant

Design and selection of components comply with the technical connection specifications (TCS) of the utility provider



Flexible

Available as stationary and mobile power distribution pillar variants for market squares and fairgrounds - simple, safe, perfect



Highly variable

Mobile fairground distributor with various installation units for outlets up to 32 A



Distribution pillars

► Technical data, 414
Dimensional drawing, page 415, 416



93250-0010

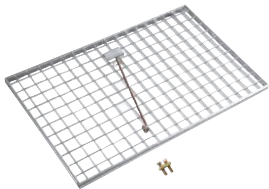
Distribution pillar

Features:

- Degree of protection: IP44
- Made of glass-fibre-reinforced polyester of type FS 833.5 in accordance with DIN 16913; contains recycled material
- Colour: RAL 7035
- Granite structure
- Single-locking

Designation	Height	Width	Depth	PU	Product designation	Order no.
Distribution pillar 115, height 1150 mm, round	1150	360	360	1	VS 115 ST L	93250-0010
Distribution pillar 115, height 1150 mm, with PVC mounting panel, 260 x 350 x 6 mm (H x W x D), round	1150	360	360	1	VS 115 ST MP	93250-0211
Distribution pillar 135, height 1350 mm, round	1350	360	360	1	VS 135 ST L	93251-0010
Distribution pillar 135, height 1350 mm, with PVC mounting panel, 290 x 350 x 6 mm (H x W x D), round	1350	360	360	1	VS 135 ST MP	93251-0211
Distribution pillar 135, height 1350 mm, with PVC mounting panel, 200 x 537 x 6 mm (H x W x D), round, cable outlet	1350	360	360	1	VS 135 ST MP KA	93251-0511

Accessories for distribution pillars



93825-0267

Steel floor grid

Designation	PU	Product designation	Order no.
Steel floor-grid kit VS 115/135	1	Bodenrost-Stahlblech Set für VS 115/135	93825-0267



93820-5075

Base filler

Features:

Filler material to reduce the accumulation of condensed water in enclosures located outdoors.

Distribution pillar
115 and 135 = 1 bag

Designation	PU	Product designation	Order no.
Filler material to reduce the accumulation of condensed water in enclosures located outdoors. The fill height should be approx. 200 - 300 mm. 1 bag = 25 litres	1	Sockelfüller 25L	93820-5075

Distribution pillars for market squares and fairgrounds

► Technical data, 414
Dimensional drawing, page 417



93251-0030

Distribution pillars for market squares and fairgrounds

Designation	Height	Width	Depth	PU	Product designation	Order no.
Distribution pillar 135, height 1350 mm, with fairground cutout for power socket combination	1350	360	360	1	VS 115 ST FP	93251-0033
Distribution pillar 135, fairground, height 904 mm	904	360	360	1	VS 135 ST FP	93251-0030

Accessories for distribution pillars for market squares and fairgrounds



93835-0055

Underfloor power supply unit, IP67

Designation	PU	Product designation	Order no.
Base of underfloor power supply unit, cast iron, SF135M, with coupling, 5-pole, 63 A, IP67, for power supply	1	VS 135 Elektrant Gußeisen	93835-0055

House service pillar

► Technical data, 418
Dimensional drawing, page 415



93250-0013

House service pillar

Features:

- Degree of protection: IP44
- Height 1150 mm
- Width 30 mm
- Depth 30 mm
- Made of glass-fibre-reinforced polyester of type FS 833.5 in accordance with DIN 16913; contains recycled material
- Colour: RAL 7035 - granite structure
- Single-locking
- Pre-assembled for use as house service pillar

Designation	PU	Product designation	Order no.
House service pillar 115, height 1150 mm, 1 x 3 NH00, input via V-clamp 10 – 95 mm ² se, output via flat-clamp 10 – 70 mm ² se	1	HAS 115 1x3NH00 Zug. 10-95/Abg. 10-70 ST	93250-0013
House service pillar 115, height 1150 mm, 1 x 3 NH00, input via V-clamp 35 – 240 mm ² se, output via flat-clamp 10 – 70 mm ² se	1	HAS 115 1x3NH00 Zug. 35-240/Abg. 10-70 ST	93250-0113
House service pillar 115, height 1150 mm, 1 x 3 NH00, input via V-clamp 2 x 70 – 240 mm ² se, output via pressure plate 10 – 50 mm ² se	1	HAS 115 1x3NH00 Zug. 2x70-240/Abg. 10-70 ST	93250-0213
House service pillar 115, height 1150 mm, 2 x 3 NH00, input via V-clamp 35 – 240 mm ² se, output via flat-clamp 10 – 70 mm ² se	1	HAS 115 2x3NH00 Zug. 35-240/Abg. 10-70 ST	93250-0313
House service pillar 115, height 1150 mm, 2 x 3 NH00, input via V-clamp 2 x 70 – 240 mm ² se, output via pressure plate 10 – 70 mm ² se	1	HAS 115 2x3NH00 Zug. 2x70-240/Abg. 10-70 ST	93250-0413
House service pillar 115, height 1150 mm, 1 x 3 NH2, input via V-clamp 35 – 240 mm ² se, output via pressure plate 25 – 95 mm ² se	1	HAS 115 1x3NH2 Zug. 35-240/Abg. 25-95 ST	93250-0513
House service pillar 115, height 1150 mm, 1 x 3 NH2, input via V-clamp 2 x 70 – 240 mm ² se, output via pressure plate 25 – 95 mm ² se	1	HAS 115 1x3NH2 Zug. 2x70-240/Abg. 25-95 ST	93250-0613



93251-0013

House service pillar

Features:

- Degree of protection: IP44
- Height 1350 mm
- Width 360 mm
- Depth 360 mm
- Made of glass-fibre-reinforced polyester of type FS 833.5 in accordance with DIN 16913; contains recycled material
- Colour: RAL 7035 - granite structure
- Single-locking
- Pre-assembled for use as house service pillar

Designation	PU	Product designation	Order no.
House service pillar 135, height 1350 mm, 1 x 3 NH00, input via V-clamp 10 – 95 mm ² se, output via flat-clamp 10 – 50 mm ² se	1	HAS 135 1x3NH00 Zug. 10-95/Abg. 10-50 ST	93251-0013
House service pillar 135, height 1350 mm, 1 x 3 NH00, input via V-clamp 35 – 240 mm ² se, output via flat-clamp 10 – 50 mm ² se	1	HAS 135 1x3NH00 Zug. 35-240/Abg. 10-50 ST	93251-0113
House service pillar 135, height 1350 mm, 1 x 3 NH00, input via V-clamp 2 x 70 – 240 mm ² se, output via pressure plate 10 – 50 mm ² se	1	HAS 135 1x3NH00 Zug. 2x70-240/Abg. 10-50 ST	93251-0213
House service pillar 135, height 1350 mm, 2 x 3 NH00, input via V-clamp 35 – 240 mm ² se, output via flat-clamp 10 – 70 mm ² se	1	HAS 135 2x3NH00 Zug. 35-240/Abg. 10-70 ST	93251-0313
House service pillar 135, height 1350 mm, 2 x 3 NH00, input via V-clamp 2 x 70 – 240 mm ² se, output via pressure plate 10 – 70 mm ² se	1	HAS 135 2x3NH00 Zug. 2x70-240/Abg. 10-70 ST	93251-0413
House service pillar 135, height 1350 mm, 1 x 3 NH2, input via V-clamp 35 – 240 mm ² se, output via pressure plate 25 – 95 mm ² se	1	HAS 135 1x3NH2 Zug. 35-240/Abg. 25-95 ST	93251-0513
House service pillar 135, height 1350 mm, 1 x 3 NH2, input via V-clamp 2 x 70 – 240 mm ² se, output via pressure plate 25 – 95 mm ² se	1	HAS 135 1x3NH2 Zug. 2x70-240/Abg. 25-95 ST	93251-0613

Accessories for distribution pillars

► Technical data, 417



93865-0150

Socket combinations for fairgrounds and market squares

Designation	Height	Width	Depth	PU	Product designation	Order no.
Socket combination 1 x CEE socket, 16 A, 5-pole, 2 x Schuko socket, 16 A	288	222	166	1	VS Steckdosenkombi. 1 x CEE 16A - 2 x Schuko 16A	93865-0150
Socket combination 1 x CEE socket, 16 A, 5-pole, 2 x Schuko socket, 32 A	288	222	166	1	VS Steckdosenkombi. 1 x CEE 16A - 2 x Schuko 32A	93865-0160
Socket combination 4 x Schuko socket, 16 A	288	222	160	1	VS Steckdosenkombi. 4 x Schuko 16A	93865-0170
Socket combination 1 x CEE socket, 16 A	288	222	160	1	VS Steckdosenkombi. 1 x CEE 16A	93865-0180
Mounting panel kit for socket combination	350	260	6	1	VS 115/135 Montageplattenset für Steckdosenkombination	93840-0190

Distribution pillar for fairgrounds and market squares

General information

Standards:

DIN VDE 0100 part 722 regulates the installations for fairground and amusement park machinery and structures, vehicles and camper trailers typically used by showmen.

Stationary distribution pillar, round

Variant:

Degree of protection: IP44
Glass-fibre-reinforced polyester of type FS 833.5
DIN 16913, includes recycled material

Colour:

Similar to RAL 7035, light grey with granite structure

Dimensions:

Height 1350 mm / Ø 360 mm

Locking mechanism:

Single-locking, one lock cylinder pre-installed

Base:

- Enclosure and base form one unit

Foundation:

- To avoid condensed water on the inside of the enclosure, it is recommended to fill the foundation up to the level of the cable mounting rail after assembly.
- Use base filler (25-l bag, article number 93820-5075), the recommended fill height is approx. 200 - 300 mm.

Mobile distribution pillar, round

Variant:

Degree of protection: IP44
Glass-fibre-reinforced polyester of type FS 833.5
DIN 16913, includes recycled material

Colour:

Similar to RAL 7035, light grey with granite structure

Dimensions:

Height 904 mm / Ø 360 mm

Locking mechanism:

Single-locking, one lock cylinder pre-installed

Underfloor power supply unit:

Cast-iron enclosure with cover, 310 x 420 x 315 mm (H x W x D)
Stainless-steel bolts with wing nuts, weight 28.5 kg

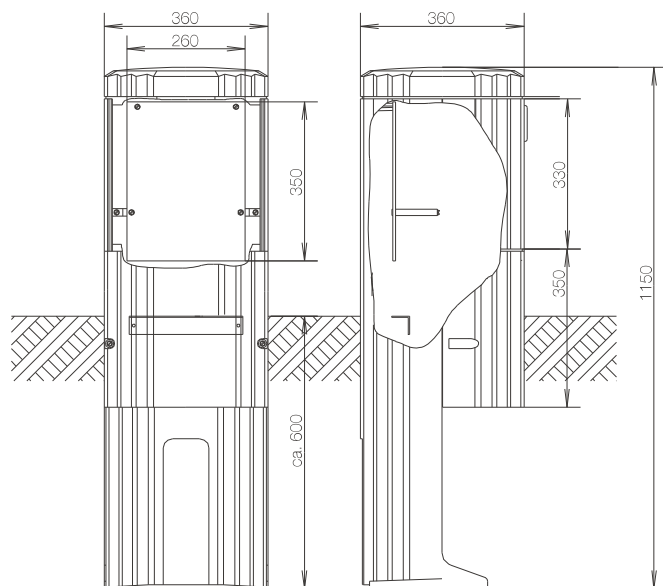
Product benefits

- Flexible assembly thanks to modular design
- Appealing, modern design, winner of the "Gute Industrieform" award
- Cables can be routed out of the enclosure with the door closed
- High number of variants thanks to pre-assembled installation units

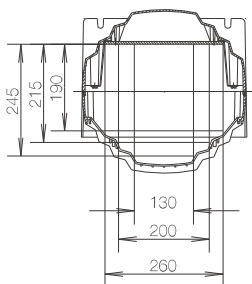
Distribution pillar

Dimensional drawings

Series 115, round: 93250-0211



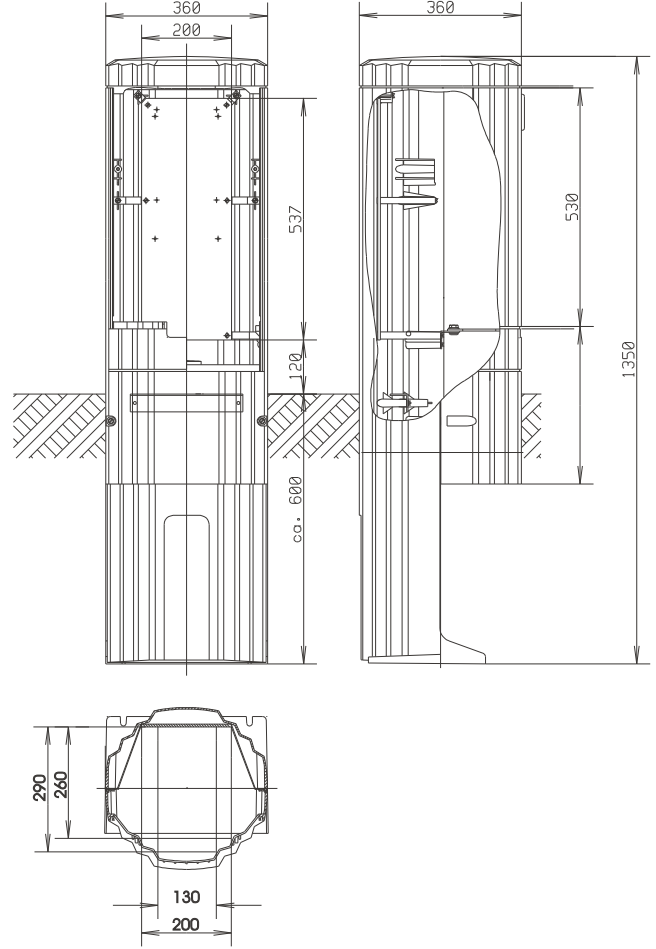
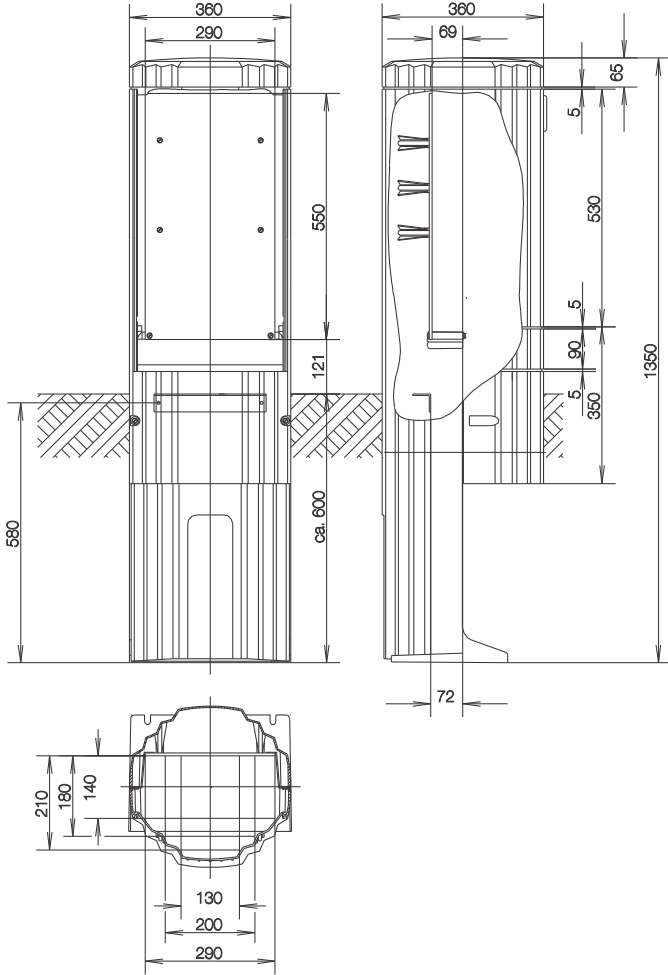
B530



Distribution pillar Dimensional drawings

Series 135, round: 93251-0211

Series 135, round: 93251-0511

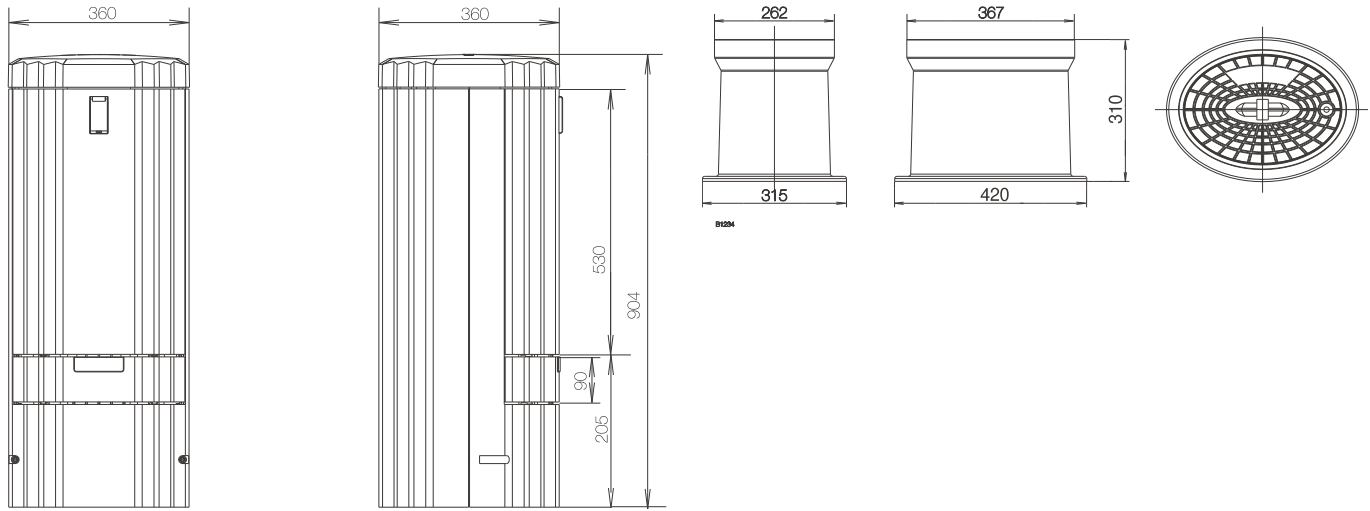


Distribution systems

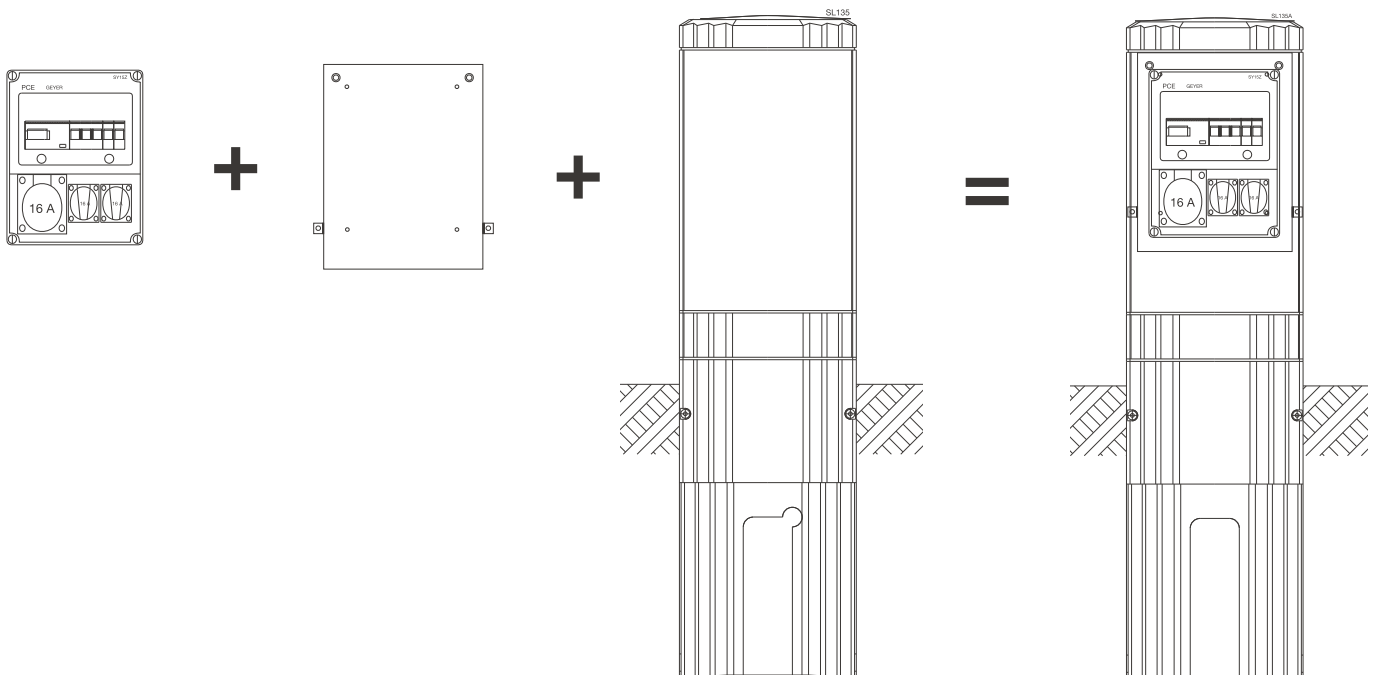
Distribution pillar Dimensional drawings

Series 135, round: 93251-0030

Underfloor power supply unit



Assembly of socket combination for 93251-0033 and 93251-0030



House service pillars

Material:

Glass-fibre-reinforced polyester of type FS 833.5 in accordance with DIN 16913; contains recycled material

Colour:

Similar to RAL 7035, with rock structure

Degree of protection:

IP44

Door:

Plug-in door

Locking mechanism:

Locking mechanism for 1 lock cylinder, locking mechanism for 2 lock cylinders optional

Base:

Enclosure and base form one unit. Floor grid, adjustment rods and earthing connections optional

Installation options:

- 1 x 3 NH00
- 2 x 3 NH00
- 1 x 3 NH2

In the case of grid loops, double-V-clamps are used on the supply side of the external conductors. Two individual terminals are used on the PEN conductor.

Series 115

Dimensions:

Height 1150 mm / Ø 360 mm

Series 135

Dimensions:

Height 1350 mm / Ø 360 mm



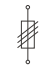
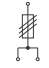
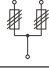
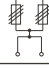
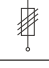
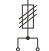
Fitted with NH fuse-rails of size 00 for busbar spacing of 100 mm upon request.

Product benefits

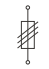
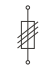
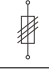

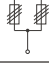
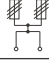
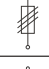
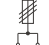
- Weather-resistant – ideal for outdoor use
- Versatile use thanks to modular design, e.g. as outdoor house service distributor, cable distribution, fairground distribution, broadband-cable distribution, pump control for lifting systems, power supply at petrol stations
- Enclosure and base form one unit.
- Units save space inside the building and are accessible for service work at all times
- Award for excellent design

House service pillars

Series 115, round

Order no.		Variants with pre-assembled devices	Input terminals mm ² V-clamps	Output terminals mm ²	Single-locking	Double-locking	1 lock cylinder installed	Split lower front cover	Construction site connection
93250-0013		1 x 3 NH00	10 – 95 se	Steel-box flat-clamp 10–50 se Cu	standard	optional	optional	optional	optional
93250-0113		1 x 3 NH00	35 – 240 se	Steel-box flat-clamp 10–50 se Cu	standard	optional	optional	optional	optional
93250-0213		1 x 3 NH00	2 x 70 – 240 se	Pressure plate 10 – 50 se Cu	standard	optional	optional	optional	optional
93250-0313		2 x 3 NH00	35 – 240 se	Flat 10 – 70 se Cu	standard	optional	optional	optional	optional
93250-0413		2 x 3 NH00	2 x 70 – 240 se	Pressure plate 10 – 70 se Cu	standard	optional	optional	optional	optional
93250-0513		1 x 3NH2	35 – 240 se	Pressure plate 25 – 95 se Cu	standard	optional	optional	optional	optional
93250-0613		1 x 3NH2	2 x 70 – 240 se	Pressure plate 25 – 95 se Cu	standard	optional	optional	optional	optional

Series 135, round

Order no.		Variants with pre-assembled devices	Input terminals mm ² V-clamps	Output terminals mm ²	Single-locking	Double-locking	1 lock cylinder installed	Split lower front cover	Construction site connection
93251-0013		1 x 3 NH00	10 – 95 se	Steel-box flat-clamp 10–50 se Cu	standard	optional	optional	optional	optional
93251-0113		1 x 3 NH00	35 – 240 se	Steel-box flat-clamp 10 – 50 se Cu	standard	optional	optional	optional	optional
93251-0213		1 x 3 NH00	2 x 70 – 240 se	Pressure plate 10 – 50 se Cu	standard	optional	optional	optional	optional
93251-0313		2 x 3 NH00	35 – 240 se	Flat 10 – 70 se Cu	standard	optional	optional	optional	optional
93251-0413		2 x 3 NH00	2 x 70 – 240 se	Pressure plate 10 – 70 se Cu	standard	optional	optional	optional	optional
93251-0513		1 x 3NH2	35 – 240 se	Pressure plate 25 – 95 se Cu	standard	optional	optional	optional	optional
93251-0613		1 x 3NH2	2 x 70 – 240 se	Pressure plate 25 – 95 se Cu	standard	optional	optional	optional	optional



House Service Systems

Advanced safety system interfaces by EFEN for state-of-the-art house applications. The system is prepared to be upgraded to future smart-grid challenges.

Distribution systems

System

EFEN's pre-assembled house service systems save lots of installation time. All solutions comply with the requirements of the different grid operators.

Features

Our small house service pillars are accessible for service work any time. Their low profile and compact dimensions make these elegantly styled enclosures a perfect solution for a protected house service connection located outdoors.



House Service Systems

Cable house service pillars height 1420 mm, pre-assembled	page 422
Cable house service boxes KH 00	page 423
Cable house service boxes KH 1	page 424
Accessories for cable house service boxes	page 426
Technical data	page 428
Cross-Reference-List	page 452

Integral design

Base and housing form one unit - installation is quick and easy



Universal use

Pre-assembled for use as house service pillar



Compact design

The transparent cover allows the visual inspection of the fuses at all times



House service pillars

► Technical data, 428
Dimensional drawing, page 429



93260-0013

Distribution pillar, height 1420 mm, degree of protection IP44, pre-assembled

Features:

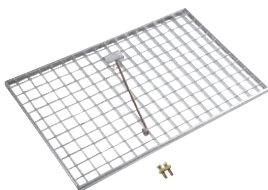
- Made of glass-fibre-reinforced polyester of type FS 833.5 in accordance with DIN 16913
- Colour: RAL 7035 light grey
- Plug-in door
- Pre-assembled for use as house service pillar
- Single-locking
- Dimensions (H x W x D) 1420 x 320 x 225 mm

Options:

- Double-locking
- 1 lock cylinder installed
- Split lower front cover
- Construction site connections

Designation	PU	Product designation	Order no.
House service pillar 142, height 1420 mm, 1 x 3 NH00, input via V-clamp 10 – 95 mm ² se, output via flat-clamp 10 – 70 mm ² se	1	HAS142 1x3NH00 Zug. 10-95/Abg. 10-70 ST	93260-0013
House service pillar 142, height 1420 mm, 1 x 3 NH00, input via V-clamp 35 – 240 mm ² se, output via flat-clamp 10 – 70 mm ² se	1	HAS142 1x3NH00 Zug. 35-240/Abg. 10-70 ST	93260-0113
House service pillar 142, height 1420 mm, 1 x 3 NH00, input via V-clamp 2 x 70 – 240 mm ² se, output via flat-clamp 10 – 70 mm ² se	1	HAS142 1x3NH00 Zug. 2x70-240/ Abg. 10-70 ST	93260-0213
House service pillar 142, height 1420 mm, 2 x 3 NH00, input via V-clamp 35 – 240 mm ² se, output via flat-clamp 10 – 70 mm ² se	1	HAS142 2x3NH00 Zug. 35-240/Abg. 10-70 ST	93260-0313
House service pillar 142, height 1420 mm, 1 x 3 NH2, input via V-clamp 35 – 240 mm ² se, output via pressure plate 25 – 95 mm ² se	1	HAS142 1x3NH2 Zug. 35-240/Abg. 25-95 ST	93260-0413
House service pillar 142, height 1420 mm, 1 x 3 NH2, input via V-clamp 2 x 70 – 240 mm ² se, output via pressure plate 25 – 95 mm ² se	1	HAS 1x3NH2 Zug. 2x70-240/Abg. 25-95 ST	93260-0513

Distribution systems



93825-0266

Steel floor grid

Designation	PU	Product designation	Order no.
Steel floor grid kit for VS 142	1	Bodenrost-Stahlblech Set für VS 142	93825-0266



93820-5075

Base filler

Features:

- Filler material to reduce the accumulation of condensed water in enclosures located outdoors
- Required quantity for house service pillar 142 = 1 bag

Designation	PU	Product designation	Order no.
Filler material to reduce the accumulation of condensed water in enclosures located outdoors. The fill height should be approx. 200 - 300 mm. 1 bag = 25 litres	1	Sockelfüller 25L	93820-5075

House service boxes in accordance with DIN VDE 0660-505

► Technical data, 430, 432
Dimensional drawing, page 431, 433



93403-0053

House service box KH00 / K3 in accordance with DIN VDE 0660-505

Features:

- Degree of protection: IP54, standards: VDE 0660 part 505, protection category II
- Enclosure: Glass-fibre-reinforced polyester of type FS 833.5
- in accordance with DIN 16913, RAL 7035 light grey
- 4-point internal mounting
- Square 8-mm bolt, slotted, bored for sealing wire
- 1 x M25 at top right for equipotential bonding
- Input: steel-box V-clamp 10 – 95 mm² / Output: steel-box flat-clamp 6 – 50 mm²
- 1 x 3NH00, I_n = 100 A

Designation	PU	Product designation	Order no.
Cover made of glass-fibre-reinforced polyester, PEN M4.1: 3 x terminal at output, safety cover: 2-piece, hinged, bored for sealing wire, crystal-clear	1	HAK KH00/K3 1x3NH00 Zug. 10-95/Abg. 6-70 ST	93403-0053
Crystal-clear cover made of polycarbonate, PEN M4.1: 3 x terminal at output, safety cover: 2-piece, hinged, bored for sealing wire, crystal-clear	1	HAK KH00/K3 1x3NH00 Poly-carbonat	93403-0023



93404-0033

House service box KH00 / K4 in accordance with DIN VDE 0660-505

Features:

- Degree of protection: IP54, standards: VDE 0660 part 505, protection category II
- Enclosure: Glass-fibre-reinforced polyester of type FS 833.5
- in accordance with DIN 16913, RAL 7035 light grey
- 4-point internal mounting
- 2 x square 8-mm bolt, slotted, bored for sealing wire
- 1 x M25 at top right for equipotential bonding
- Input: steel-box V-clamp 10 – 95 mm² / Output: steel-box flat-clamp 6 – 50 mm²
- 1 x 3 NH00, I_n = 100 A

Designation	PU	Product designation	Order no.
Cover made of glass-fibre-reinforced polyester, 1 x cable inlet PEN M4.1: 3 x terminal at output, safety cover: 2-piece, hinged, bored for sealing wire, crystal-clear	1	HAK KH00/K4 1x3NH00 Zug. 10-95/Abg. 6-70 ST	93404-0003
House service box KH00 / K4 in accordance with DIN VDE 0660-505, 1 x 3 NH00, 100 A, input: 2 x steel-box V-clamp 10 – 95 mm ² , output: 3 x steel-box flat-clamp 6 – 70 mm ² , loop-through type	1	HAK KH00/K4 1x3NH00 Zug. 10-95/Abg. 6-70 DS	93404-0033



93404-0013

House service box KH00 / K4 in accordance with DIN VDE 0660-505

Features:

- Degree of protection: IP54, standards: VDE 0660 part 505, protection category II
- Enclosure: Glass-fibre-reinforced polyester of type FS 833.5
- in accordance with DIN 16913, RAL 7035 light grey
- 4-point internal mounting
- 2 x square 8-mm bolt, slotted, bored for sealing wire
- 1 x M25 at top right for equipotential bonding
- 2 bottom cable inlets (input and output)
- Ceramic base offset to the right
- DSO cover, contact protection top and bottom
- Input: steel-box V-clamp 10 – 95 mm² / Output: steel-box flat-clamp 6 – 50 mm²
- 1 x 3 NH00, I_n = 100 A
- Including press-fitted rain cover

Designation	PU	Product designation	Order no.
House service box KH00 / K4 in accordance with DIN VDE 0660-505, PEN M1.1: 2 x terminals at output, 1 x 3 NH00, 100 A, input: V-clamp 10 – 95mm ² , output: steel-box flat-clamp 6 – 70 mm ² , including press-fitted rain cover	1	HAK KH00/K4 1x3NH00 Zug. 10-95/Abg. 6-70 RD	93404-0023
House service box KH00 / K4 in accordance with DIN VDE 0660-505, PEN M1.1: 2 x terminal at output, 1 x 3 NH00, 100 A, input: V-clamp 10 – 95 mm ² , output: Steel-box flat-clamp 6 – 70 mm ² , including press-fitted rain cover, locking mechanism for lock cylinder	1	HAK KH00/K4 1x3NH00 Zug. 10-95/Abg. 6-70 RD SV	93404-0013

House service boxes in accordance with DIN VDE 0660-505

► Technical data, 434
Dimensional drawing, page 435



93412-0003

House service box KH1 / K12 in accordance with DIN VDE 0660-505

Features:

- Degree of protection: IP54, standards: VDE 0660 part 505, protection category II
- Enclosure: Glass-fibre-reinforced polyester of type FS 833.5
- in accordance with DIN 16913, RAL 7035 light grey
- 4-point internal mounting
- 2 x square 8-mm bolt, slotted, bored for sealing wire
- 1 x 3NH2, I_n = 250 A

Designation	PU	Product designation	Order no.
House service box KH1 / K12 in accordance with DIN VDE 0660-505, 1 x 3 NH2, 250 A, input: V-clamps 35 – 185 mm ² se, output: pressure plate 16 – 150 mm ² se, standard	1	HAK KH1/K12 1x3NH2 Zug. 35-185/Abg. 16-150 ST	93412-0003
Clear cover made of polycarbonate 1 x cable inlet Input: V-clamps 35 – 185 mm ² se Output: V-clamps 35 – 185 mm ² se PEN M4.1: 2 x terminals at output + POT 10 – 70 mm ² Cu/Al	1	HAK KH1/K12 1x3NH2 Polycarbonat	93412-3763
House service box KH1 / K12 in accordance with DIN VDE 0660-505, 1 x 3 NH2, 250 A, input: steel-box V-clamp 35 – 185 mm ² se, output: pressure plate 16 – 150 mm ² se standard	1	HAK KH1/K12 1x3NH2 Zug. 35-185/Abg. 16-150 ST	93412-0043
Loop-through type Cover made of glass-fibre-reinforced polyester 2 x cable inlet Input: Pressure plates 16 – 150 mm ² sm Output: Pressure plates 16 – 150 mm ² sm PEN M4.1: 2 x terminals at output + POT 10 – 70 mm ² Cu/Al	1	HAK KH1/K12 1x3NH2 Zug. 16-150/Abg. 16-150 DS	93412-0073

House service box KH1 / K12 in accordance with DIN VDE 0660-505

Features:

- Degree of protection: IP54, standards: DIN VDE 0660-505, protection category II
- Enclosure: Glass-fibre-reinforced polyester of type FS 833.5
- in accordance with DIN 16913, RAL 7035 light grey
- 4-point internal mounting
- 2 x square 8-mm bolt, slotted, bored for sealing wire
- 1 x 3 NH2, I_n = 250 A
- Including rain cover

Designation	PU	Product designation	Order no.
House service box KH1 / K12 in accordance with DIN VDE 0660-505, 1 x 3 NH2, 250 A, input: V-clamps 35 – 185 mm ² se, output: pressure plate 16 – 150 mm ² se, with sheet-metal rain cover	1	HAK KH1/K12 1x3NH2 Zug. 35-185/Abg. 16-150 RD	93412-0023

House service box KH1 / K12 in accordance with DIN VDE 0660-505

Features:

- Degree of protection: IP54, standards: DIN VDE 0660-505, protection category II
- Enclosure: Glass-fibre-reinforced polyester of type FS 833.5
- in accordance with DIN 16913, RAL 7035 light grey
- 4-point internal mounting
- 2 x square 8-mm bolt, slotted, bored for sealing wire
- 2 x 3 NH00, I_n = 2 x 100 A

Designation	PU	Product designation	Order no.
Cover made of glass-fibre-reinforced polyester 1 x cable inlet Input: Pressure plates 16 – 150 mm ² se Output: Pressure plates 10 – 50 mm ² PEN M4.1: Input: 1 x pressure plate 16 – 150 mm ² Output: 5 x pressure plates 10 – 50/70 mm ²	1	HAK KH1/K12 1x3NH2 Zug. 16-150/Abg. 16-150 ST	93412-0013

House service boxes in accordance with DIN VDE 0660-505

► Technical data, 434
Dimensional drawing, page 435

House service box KH1 / K12 in accordance with DIN VDE 0660-505

Features:

- Degree of protection: IP54, standards: DIN VDE 0660-505, protection category II
- Enclosure: Glass-fibre-reinforced polyester of type FS 833.5
- in accordance with DIN 16913, RAL 7035 light grey
- 4-point internal mounting
- 2 x square 8-mm bolt, slotted, bored for sealing wire
- 2 x 3 NH00, $I_n = 2 \times 100 \text{ A}$

Designation	PU	Product designation	Order no.
Loop-through type Cover made of glass-fibre-reinforced polyester 2 x cable inlet Input: Pressure plates 16 – 150 mm ² se Output: Pressure plates 50 – 185 mm ² PEN M4.1: 5 x terminals at output	1	HAK KH1/K12 2x3NH00 Zug. 16-150/Abg. 16-150 DS	93412-0053
Loop-through type Cover made of glass-fibre-reinforced polyester with double breaker lugs 2 x cable inlet Input: Pressure plates 16 – 150 mm ² se Output: Pressure plates 50 – 185 mm ² PEN M4.1: 5 x terminals at output	1	HAK KH1/K12 2x3NH00 Zug. 16-150/Abg. 10-50 DS	93412-0083



93412-3701

House service box KH1 / K12 in accordance with DIN VDE 0660-505

Features:

- Degree of protection: IP54, standards: DIN VDE 0660-505, protection category II
- Enclosure: Glass-fibre-reinforced polyester of type FS 833.5
- in accordance with DIN 16913, RAL 7035 light grey
- 4-point internal mounting
- 2 x square 8-mm bolt, slotted, bored for sealing wire
- 1 x 3 NH00 + 1 x NH2, $I_n = \sum 250 \text{ A}$

Designation	PU	Product designation	Order no.
Cover made of glass-fibre-reinforced polyester 1 x cable inlet Input: Pressure plates 16 – 150 mm ² se Output: Pressure plates 16 – 150 mm ² + 10 – 50 mm ² PEN M4.1: 5 x terminals at output			93412-3701
Loop-through type Cover made of glass-fibre-reinforced polyester 2 x cable inlet Input: Pressure plates 16 – 150 mm ² se Output: Pressure plates 16 – 150 mm ² + 10 – 50 mm ² PEN M4.1: 5 x terminals at output	1	HAK KH1/K12 2x3NH00 Zug. 16-150/Abg. 16-150 DS	93412-0053

House service box KH1 / K12 in accordance with DIN VDE 0660-505

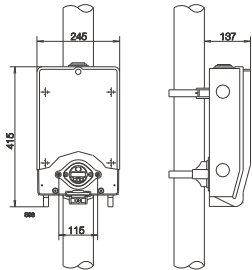
Features:

- Degree of protection: IP54, standards: DIN VDE 0660-505, protection category II
- Enclosure: Glass-fibre-reinforced polyester of type FS 833.5
- in accordance with DIN 16913, RAL 7035 light grey
- 4-point internal mounting
- 2 x square 8-mm bolt, slotted, bored for sealing wire
- 3 x 3 NH00, $I_n = 3 \times 80 \text{ A}$

Designation	PU	Product designation	Order no.
Cover made of glass-fibre-reinforced polyester 1 x cable inlet Input: Pressure plates 16 – 150 mm ² se Output: Pressure plates 10 – 50 mm ² PEN M4.1: 5 x terminals at output	1	HAK KH1/K12 3x3NH00 Zug. 16-150/Abg. 10-50 ST	93412-0033

Accessories

► Technical data, 433



93815-9106

Conversion kit for roof service mast mounting (only for enclosures with knock-outs on rear side)

Designation	PU	Product designation	Order no.
Conversion kit K3/K4 for overhead line – single-strand line 4 x 16 – 50 mm ²	1	HAK Freil. K3/K4 4x16-50 LE	93815-9106
Conversion kit K3/K4 for overhead line – ribbon cable 4 x 16 mm ²	1	HAK Freil. K3/K4 4x16 LF	93815-9109
Conversion kit K3/K4 for overhead line – ribbon cable 4 x 25/35 mm ²	1	HAK Freil. K3/K4 4x25/35 LF	93815-9110
Conversion kit for roof service mast mounting of house service box, open inlet	1	HAK Dachständerbefest. offene Einf.	93810-9108



93810-2406

Retrofit kit for rear-side cable inlet

Features:

- Mounting plate with pilot grommet
- Strain-relief clamp
- Inlet flange with sealing diaphragm
- Mounting hardware

Designation	PU	Product designation	Order no.
Retrofit kit for rear-side cable inlet K3/K4, in the case of K3 only for variant with rear-side knock-out	1	HAK K3/K4Nachrüstbausatz f. rückseitige Kabeleinf.	93810-2406



93810-2843

Rain cover

Features:

- Made of galvanised sheet metal for house service boxes wall-mounted outside
- Fits K12

Designation	PU	Product designation	Order no.
Rain cover made of galvanised sheet metal for house service box K12 (H x W x D) 130 x 360 x 220 mm	1	HAK K12 Regendach	93810-2843



93810-1692

Inlet flange for cable conduits

Features:

- Secures cable conduits in the box inlet

Designation	PU	Product designation	Order no.
Inlet flange for cable conduits for house service boxes K3/K4, size M50	1	HAK K3/K4 Einführungsflansch Gr. M50	93810-1692
Inlet flange for cable conduits for house service boxes K3/K4, size M63	1	HAK K3/K4 Einführungsflansch Gr. M63	93810-1693



93810-0414

Cover frame for flush-mounted house service boxes

Features:

- Flush-mounted installation frame with plug-in door
- Wall rack made of steel strip, galvanised
- Cover frame and door with plastic base coat, RAL 9010

Designation	PU	Product designation	Order no.
Cover frame for flush-mounted wall rack for house service box K3/K4, RAL 9010, recess (H x W x D) 555 x 360 x 185 mm	1	HAK UP-Blendrahmen K3/K4 Wandgestell	93810-0414
Cover frame for flush-mounted wall box for house service box K3/K4, RAL 9010, recess (H x W x D) 555 x 360 x 185 mm	1	HAK UP-Blendrahmen K3/K4 Mauerkasten	93810-0725

Accessories

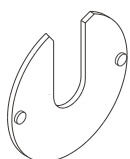
► Technical data, 433



93810-5045

Service mast bracket for house service boxes mounted on wooden masts

Designation	PU	Product designation	Order no.
Service mast bracket for K4 house service boxes mounted on wooden masts	1	HAK Mastbefestigungsbügel K4	93810-5045



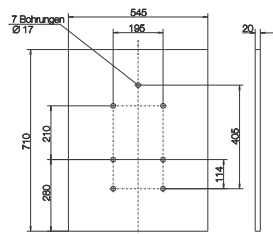
93810-4000

Shim

Features:

- For the mounting on uneven walls

Designation	PU	Product designation	Order no.
Shim for the mounting of K3/K4 house service boxes on uneven walls	1	HAK Unterlegscheibe K3/K4	93810-4000



93810-5805

Base panel for house service boxes

Features:

- Fibre-silicate panels (asbestos-free)
- Arcing-proof
- Drilled

Designation	PU	Product designation	Order no.
Base panel made of fibre-silicate to ensure protection against arcing in accordance with VDE 0100/DIN 57100, T732, point 4, K3/K4 for house service boxes (H x W x D) 710 x 545 x 20 mm	1	HAK Unterlegplatte K3/K4 Lichtbogenschutz	93810-5805



93810-6535

Construction site connection frame

Features:

- Without cover
- Degree of protection: IP54
- Increases installation depth of K4 by 123 mm
- RAL 7035 light grey

Designation	PU	Product designation	Order no.
Construction site connection frame for K4 house service boxes, IP 54, increases installation depth by 123 mm	1	HAK Bauanschlussrahmen K4 ohne Deckel	93810-6535



93810-6534

Construction site connection box

Features:

- Enclosed cover
- Degree of protection: IP21
- Dimensions: (W x H x D) 280 x 490 x 245 mm

Designation	PU	Product designation	Order no.
Construction site connection box for K3/K4 house service boxes, IP 21, (H x W x D) 490 x 280 x 245 mm	1	HAK Bauanschlusskasten K3/K4	93810-6534

House service pillars, series 142

System description

Material:

Glass-fibre-reinforced polyester of type FS 833.5 in accordance with DIN 16913

Colour:

RAL 7035 light grey

Degree of protection:

IP44

Dimensions:

see variants

Door:

Plug-in door

Locking mechanism:

- Locking mechanism for 1 lock cylinder
- Locking mechanism for 2nd lock cylinder optional

Base:

- Enclosure and base form one unit

Installation options:

- 1 x 3 NH00
- 2 x 3 NH00
- 1 x 3 NH2

In the case of grid loops, double busbar terminals or double V-clamps are used on the supply side of the external conductors. Two individual terminals are used on the PEN conductor.

Product benefits

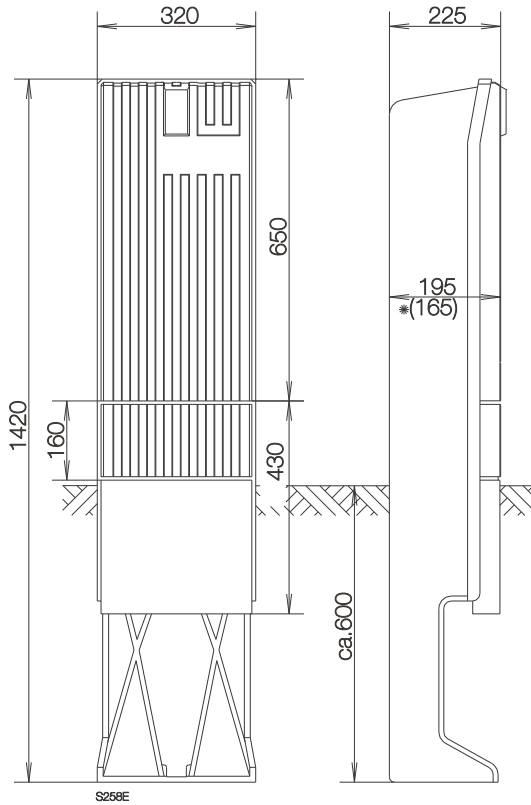
- Low height
- Compact dimensions
- Modern, corrugated design
- Pillar parts can be painted upon request
- Doors are easy to install and remove to and from hinges

House service pillars, series 142

Dimensional drawings

Series 142

93260-0013, 93260-0113, 93260-0213,
93260-0313, 93260-0413, 93260-0513



Order no.		Pre-assembled variants	Input terminals mm ² V-clamps	Output terminals mm ²	Single-locking	Double-locking	1 lock cylinder installed	Split lower front cover	Construction site connection
93260-0013		1 x 3 NH00	10 – 95 se	Pressure plate 10 – 50 se Cu	standard	optional	optional	optional	optional
93260-0113		1 x 3 NH00	35 – 240 se	Pressure plate 10 – 50 se Cu	standard	optional	optional	optional	optional
93260-0213		2 x 3 NH00	2 x 70 – 240 se	Pressure plate 10 – 50 se Cu	standard	optional	optional	optional	optional
93260-0313		2 x 3 NH00	35 – 240 se	Pressure plate 10 – 50 se Cu	standard	optional	optional	optional	optional
93260-0413		1 x 3NH2	35 – 240 se	Pressure plate 25 – 95 se Cu	standard	optional	optional	optional	optional
93260-0513		1 x 3NH2	2 x 70 – 240 se	Pressure plate 25 – 95 se Cu	standard	optional	optional	optional	optional

House service box, KH00, in accordance with DIN VDE 0660-505, series K3

System description

Material:

Glass-fibre-reinforced polyester of type FS 803 in accordance with DIN 16911

Colour:

RAL 7035 light grey

Degree of protection:

IP54

Dimensions:

(W x H x D) 245 x 415 x 137 mm

Wall-mounting of enclosure:

4-point internal mounting
optional
3-point external mounting
2-point external mounting

Enclosure cover:

- Hinged, removable in 15°-position
- Glass-fibre-reinforced polyester of type FS 803
- Transparent variant made of polycarbonate optional

Input:

Sealing membrane, M50 knock-outs on right and left side

Output:

- Stepped nipple grommet
- M50 knock-out on right and left side
- One M25 knock-out on top and one on right-hand side

Installation:

- NH00 bases made of ceramic in accordance with DIN 43620
- NH00 contacts on plastic base optional

Input terminals:

Steel-box V-clamps 10 – 95 mm² Al/Cu

Output terminals:

Steel-box flat-clamps 6 – 50 mm² Al/Cu

PEN conductor:

- Terminals as with NH00 bases
- Additional terminal and stepped nipple grommet M25 for PA (M1)
- Separate terminal for PE/N (M2) optional

DSO cover:

- 2-piece DSO cover, can be stored inside box for re-use

Special-purpose variants:

- Enclosure with knock-outs on sides for drop-in conduit bases
- Enclosures with knock-outs on rear side for roof service mast grommet

House service box, KH00, in accordance with DIN VDE 0660-505, series K3

Dimensional drawings

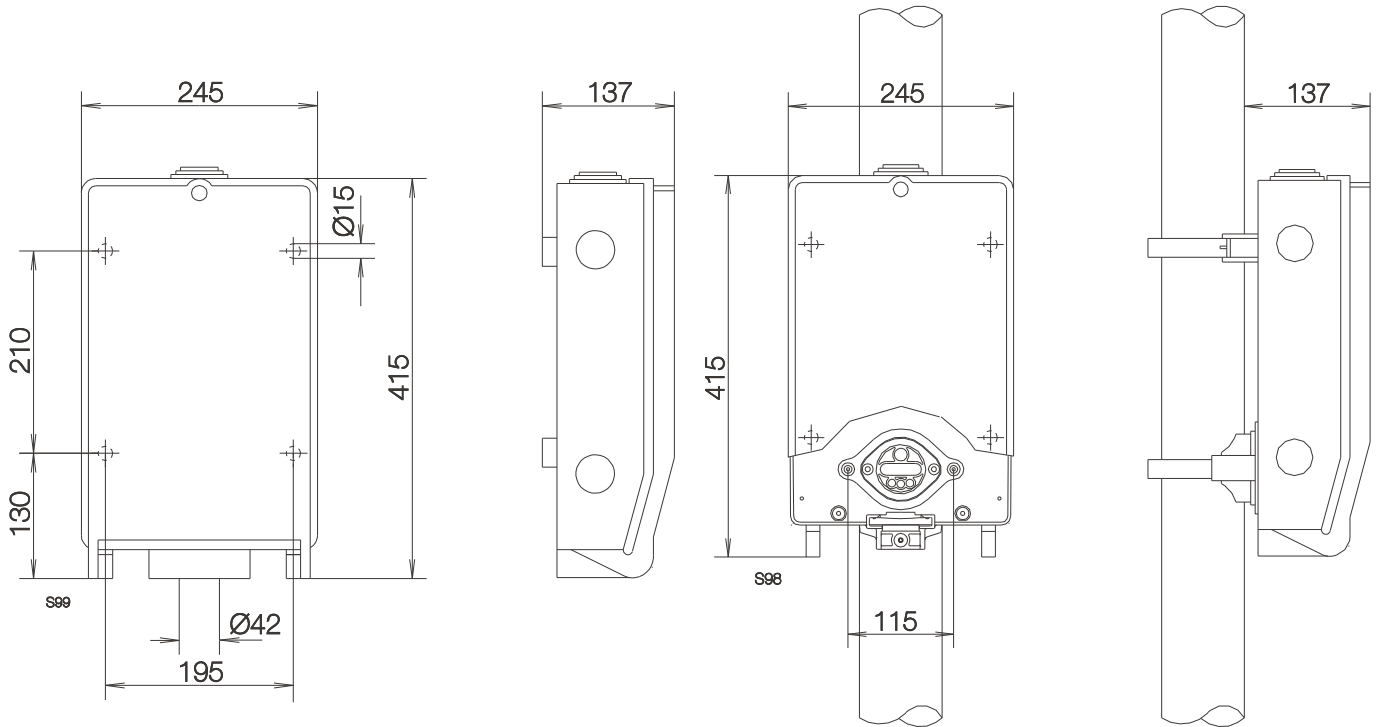
KH00, series K3

with ceramic base, 93403-0053

Conversion kit for roof service mast mounting

(only for enclosures with knock-outs on rear side)

93815-9106, 93815-9108, 93815-9109, 93815-9110, 93810-9111



House service box, KH00, in accordance with DIN VDE 0660-505, series K4

System description

Material:

Glass-fibre-reinforced polyester of type FS 803 in accordance with DIN 16911

Colour:

RAL 7035 light grey

Degree of protection:

IP 54

Dimensions:

(W x H x D) 244 x 400 x 144 mm

Wall-mounting of enclosure:

4-point internal mounting and 3-point external mounting

Enclosure for surface-mounting on outside walls:

- Press-fitted rain cover
- Input and output downward, NH00 bases offset to the right

Enclosure cover:

- Hinged, removable in 15°-position
- Glass-fibre-reinforced polyester of type FS 803
- Transparent variant made of polycarbonate optional

Input:

Sealing membrane, M50 knock-outs on right and left side

Output:

- Stepped nipple grommet
- M50 knock-outs on right and left side
- Two M25 knock-outs on top and one on right-hand side
- Drop-in conduit base M50 with stepped nipple grommet or cable gland
- Elevated drop-in output conduit base with 2 additional output options

Installation:

NH00 bases made of ceramic in accordance with DIN 43620

Input terminals:

Steel-box V-clamps 10 – 95 mm² Al/Cu

Output terminals:

Steel-box flat-clamps 6 – 50 mm² Al/Cu

PEN conductor:

- Terminals as with NH00 bases
- Additional terminal and stepped nipple grommet M25 for PA (M1)
- Separate terminal for PE/N (M2) optional

DSO cover:

- 2-piece DSO cover
- Can be stored inside box for re-use

Special-purpose variants:

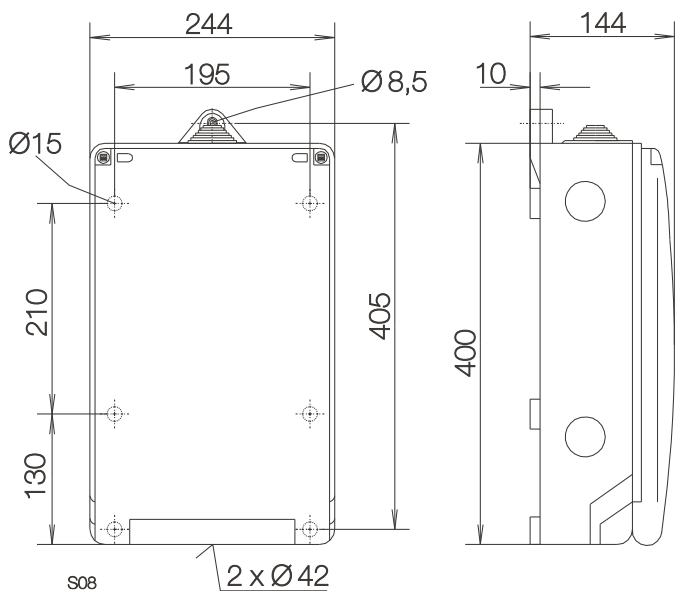
- Enclosure with knock-outs on sides for drop-in conduit bases
- Enclosures with knock-outs on rear side for roof service mast grommet

House service box, KH00, in accordance with DIN VDE 0660-505, series K4

Dimensional drawings

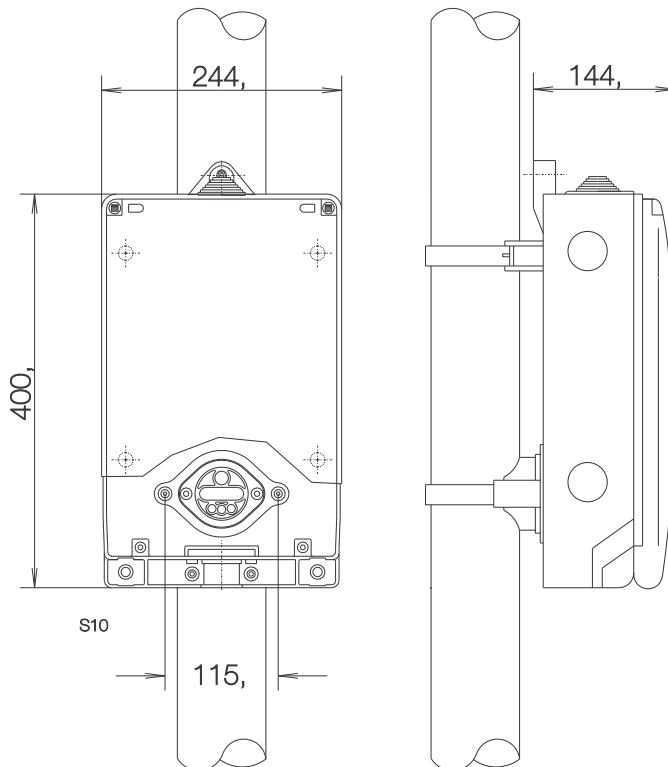
KH00, series K4

Standard type
93404-0003, 93404-0033

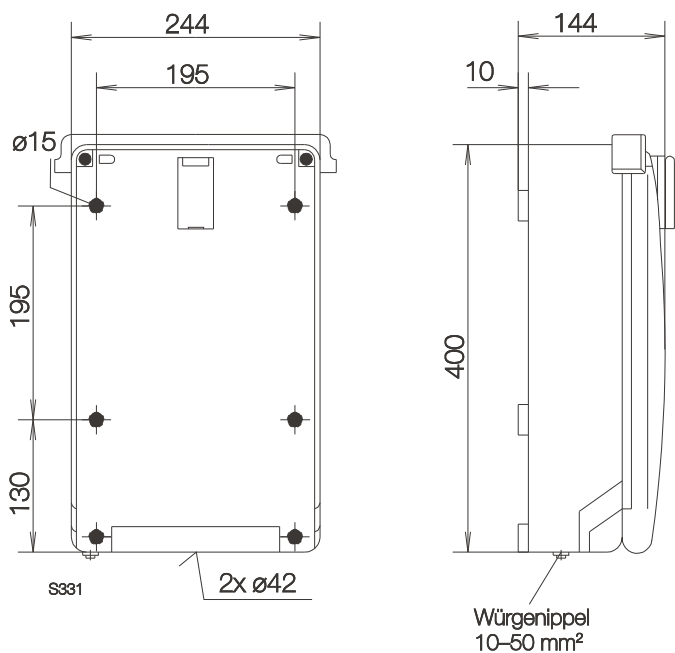


Conversion kit for roof service mast mounting

(only for enclosures with knock-outs on rear side)
93815-9106, 93815-9108, 93815-9109, 93815-9110, 93810-9111



With press-fitted rain cover, 93404-0023
With press-fitted rain cover and locking mechanism, for lock cylinder, 93404-0013



House service box, KH00, KH1 in accordance with DIN VDE 0660-505, series K12

System description

Material:

Glass-fibre-reinforced polyester of type FS 803 in accordance with DIN 16911

Colour:

RAL 7035 light grey

Degree of protection:

IP 54

Dimensions:

(W x H x D) 410 x 720 x 185 mm

Wall-mounting of enclosure:

- 4-point internal mounting
- External mounting with wall tabs optional

Enclosure for surface-mounting on outside walls:

With sheet metal top, input and output downward, NH2 bases offset to the right

Enclosure cover:

- Hinged, removable in 15°-position
- Glass-fibre-reinforced polyester of type FS 803
- Separate consumer space optional
- Transparent variant made of polycarbonate

Input:

- Drop-in conduit base with stepped seal
- Additional drop-in conduit bases for lateral cable inlet on left and right side

Output:

- Drop-in conduit base with stepped seal
- Additional drop-in conduit bases for lateral cable outlet on left and right side

Installation:

- NH00 bases in accordance with DIN 43620
- NH2 bases in accordance with DIN 43620

Input terminals:

- Pressure plates Al/Cu, V-clamps Al/Cu
- Box terminals Al/Cu optional

Output terminals:

- Pressure plates Al/Cu, V-clamps Al/Cu
- Box terminals Al/Cu optional (for NH2 bases)

PEN conductor:

- Terminals as with NH bases
- Additional terminal and stepped nipple grommet M25 for PA (M1)
- Separate terminal for PE/N (M2) optional

DSO cover:

- 1-piece DSO cover
- For 2/3 circuits: 3-piece DSO cover

Special-purpose variants:

Double breaker lugs upstream of NH bases

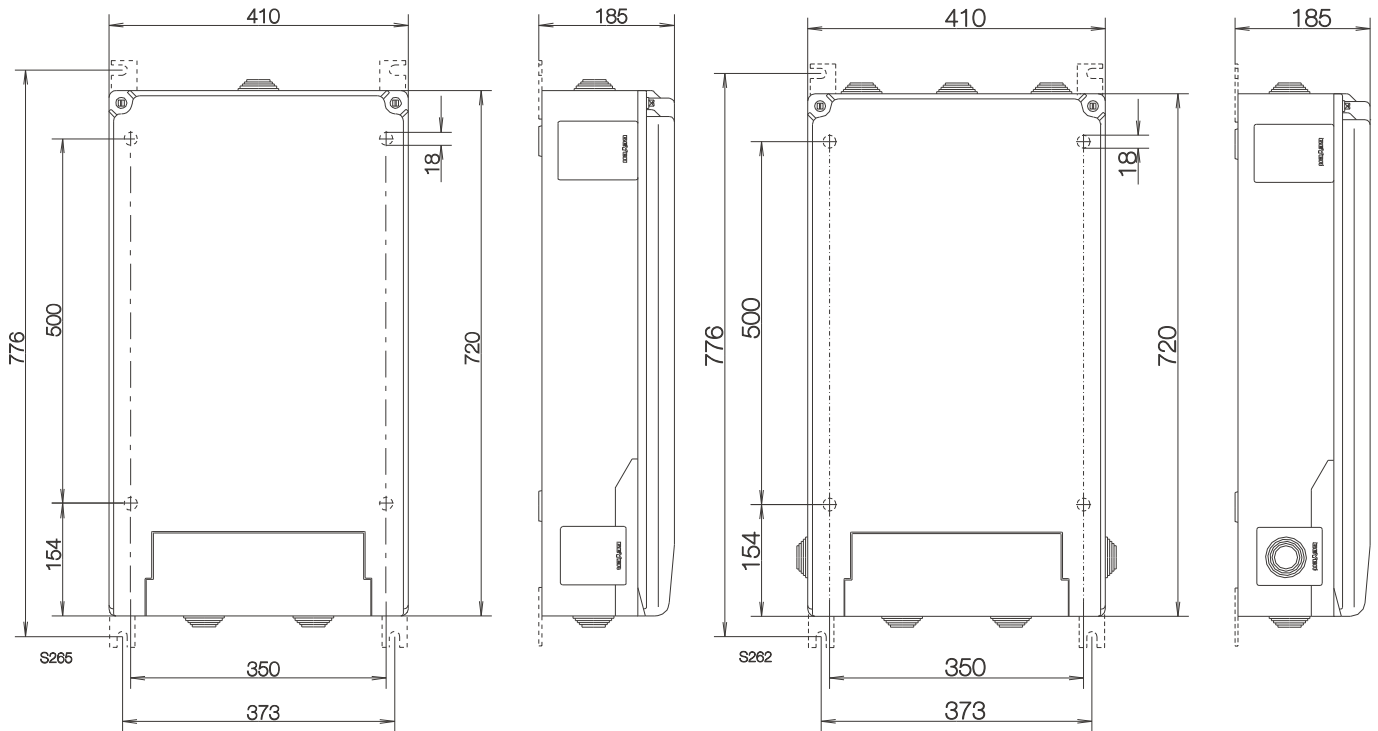
House service box, KH00, KH1 with DIN VDE 0660-505 series K12

Dimensional drawings

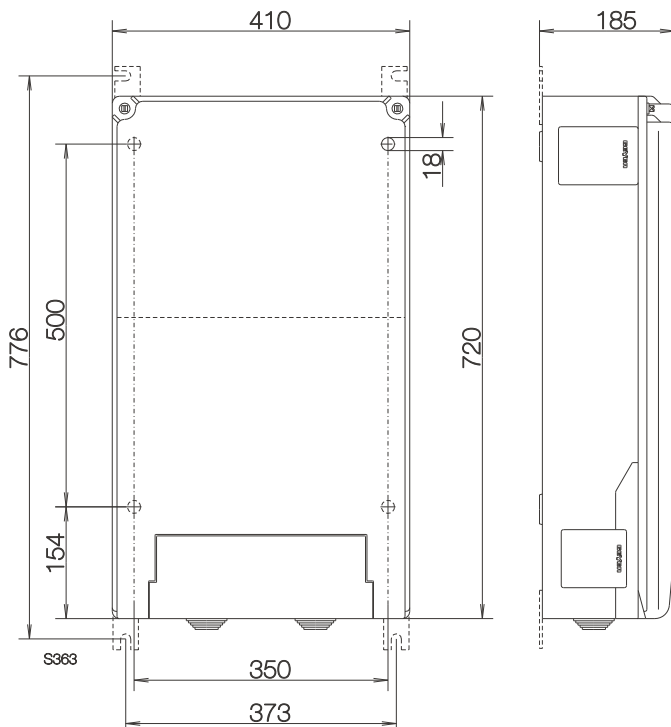
KH00, KH1, series K12

Standard type
 93412-0013, 93412-0053, 93412-0033,
 93412-0003, 93412-0043

with double breaker lugs
 93412-0083, 93412-0073



Enclosure for wall-mounting with sheet-metal rain cover, 93412-0023





Even more solutions

In addition to a wide range of distribution and house service systems, EFEN offers safety interfaces as per DIN 43627 for house service connections.

System

Complementing the range of distribution and house service systems, EFEN offers a multitude of solutions for overhead-line and junction boxes. These products optimally complement the end-to-end, safe power supply up to the consumer.

Features

Robust quality and a comprehensive range of accessories offer the optimum solution for every application.



More solutions

- Flush-mounted cable house service boxes page 438
- Overhead-line house service boxes page 439
- Junction boxes page 443
- Technical data page 444
- Cross-Reference-List page 452

Flush-mounted boxes

Particularly suited for space-restricted applications



Reliable connection

Line interface boxes of high quality



On top

Overhead-line house service boxes as per DIN 43637



Flush-mounted house service boxes Series K20 in accordance with DIN VDE 0660-505

► Technical data, 444
Dimensional drawing, page 445



93420-0100

Flush-mounted house service box WKH 00-A in accordance with DIN 43627-3

Features:

- PEN M1.1 (2 x terminals at output)
- PEN 4.1 (3 x terminals at output) available as an option

Designation	PU	Product designation	Order no.
Flush-mounted house service box WKH 00-A in accordance with DIN 43627, series K20, 100 A, inlet = 1	1	WKH00-A K20 1EF	93420-0100
Flush-mounted house service box WKH 00-A in accordance with DIN 43627, series K20, 100 A, inlet = 2, loop-through variant	1	WKH00-A K20 2EF	93420-2100

Flush-mounted house service box Series K20, accessories

Flush-mounted house service box WKH 00-A in accordance with DIN 43627-3 Accessories for flush-mounted house service boxes K20

Designation	PU	Product designation	Order no.
Polystyrene tray for thermal insulation, WKH 00-A, K20	1	Styroporwanne WKH 00-A, K20	93855-5340
Wall staples for plastering WKH00-A/K20, with screws	1	Mauerkrampenbausatz WKH00-A/K20	93815-9461
Mounting angle for cavity walls / exterior insulation using screws, wall staples, WKH 00-A, K20	1	Nachrüstsatz Hohlwandmont. WKH 00-A, K20	93855-5914
Construction site connection with M 50 thread and earth conductor, WKH 00-A, K20	1	Bauanschlussrahmen WKH 00-A K20	93855-9094

Overhead-line house service boxes FAS, FCS in accordance with DIN 43637

► Technical data, 446, 448
Dimensional drawing, page 447, 449



93424-0013

Series F14, FCS in accordance with DIN 43637

Features:

- Cable inlet: Prepared for tube mounting
- Cable output: Drop-in conduit base M50/29
- PEN M1.1: 2 x terminals at output
- Parts to be procured: Inlet kit

Designation	PU	Product designation	Order no.
Overhead-line house service box F14, 1 x cable output, Output: Steel-box flat-clamp 6 – 70 mm ² Al/Cu Input: Steel-box V-clamp 10 – 95 mm ² Al/Cu	1	FHAK14 1xAbg. 6-70mm ² /Zug. 10-95mm ²	93424-0013
Overhead-line house service box F14, 2 x cable output, Output and input: Pressure plate 10 – 50 mm ² Cu/Al	1	FHAK14 2xAbg. 10-50mm ²	93424-0023

Series F16, FCS in accordance with DIN 43637

Features:

- Cable inlet: Prepared for tube mounting
- Cable output: Drop-in conduit base M50/29
- PEN M1.1: 2 x terminals at output
- Parts to be procured: Inlet kit

Designation	PU	Product designation	Order no.
Overhead-line house service box F16, 2 x cable output, Output and input: Pressure plate 10 – 50 mm ² Cu/Al	1	FHAK16 2xAbg. 10-50mm ²	93426-0033



93427-0013

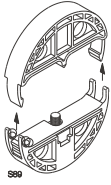
Series F17

Features:

- Cable inlet: Prepared for tube mounting
- Cable output: Drop-in conduit base M50/29
- PEN M1.1: 2 x terminals at output
- Parts to be procured: Inlet kit

Designation	PU	Product designation	Order no.
Overhead-line house service box F17, 2 x cable output, Output and input: Pressure plate 10 – 50 mm ² Cu/Al	1	FHAK17 2xAbg. 10-50mm ²	93427-0013

Overhead-line house service boxes Accessories for ribbon cable YDSA/NYDY 16/25/35 mm²



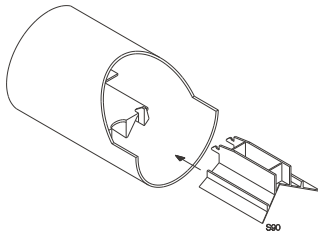
93815-6929

Spacing discs in acc. with DIN 43/637

Features:

- Sets the spacing of the conductors to the roof service mast

Designation	PU	Product designation	Order no.
Spacing disc for ribbon cable YDSA/NYDY, DIN 43637, for roof service masts with 3 1/2" tube, for conductors 4 x 16 mm ² + control line, 2-piece variant, snaps onto ribbon cable	1	FHAK-Distanzscheibe 3 1/2" 4 x 16 mm ² , YDSA/NYDY	93815-6929
Spacing disc for ribbon cable YDSA/NYDY, DIN 43637, for roof service masts with 3" tube, for conductors 4 x 16 - 35 mm ² + control line	1	FHAK-Distanzscheibe 3" 4 x 16 - 35 mm ² , YDSA/NYDY	93815-6919
Spacing discs in acc. with DIN 43637 for overhead-line house service boxes, 3 1/2" tube, conductors 4 x 16 mm ² , ribbon cable YDSA/NYDY 16/25/35 mm ²	1	FHAK-Distanzscheibe 3 1/2" 4 x 16 - 35 mm ² , YDSA/NYDY 16/25/35 mm ²	93815-6930
Spacing disc for ribbon cable YDSA/NYDY, DIN 43637, for roof service masts with 3 1/2" tube, for conductors 4 x 16 - 35 mm ² + control line	1	FHAK-Distanzscheibe 3 1/2" 4 x 16 - 35 mm ² , YDSA/NYDY	93815-6920



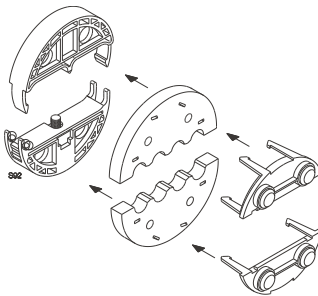
93815-6911

Diverter DSU DIN 43637

Features:

- For diverting the feed line at a specified spacing in the area of the roof service mast opening

Designation	PU	Product designation	Order no.
Diverter DSU DIN 43637 for 3" - 3 1/2" tube, ribbon cable YDSA/NYDY 16/25/35 mm ² , for conductors 4 x 16/25/35 mm ² + 2 control lines	1	Umlenkstück 3-31/2 4x16/25/35 LF	93815-6911
Diverter DSU DIN 43637 for 3" - 3 1/2" tube, ribbon cable YDSA/NYDY 16/25/35 mm ² , for conductors 4 x 16/25/35 mm ² + 2 control lines, without spacer for control lines	1	Umlenkstück 3-31/2 4x16/25/35 LF ohne Distanzstück	93815-6925



93815-6921

Insulating discs

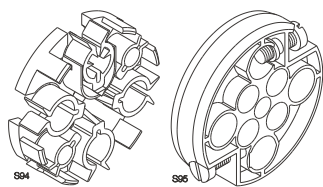
Features:

- Reduces water condensation inside the roof service mast
- Complete with spacing disc and snapped-on tube sealing kit

Designation	PU	Product designation	Order no.
Insulating disc kit for roof service mast, 3" tube, single-strand line 4 x 16 mm ²	1	FHAK-Dämmscheibe 3", 4 x 16 mm ² , Leiter	93815-6921
Insulating disc kit for roof service mast, 3 1/2" tube, conductor 4 x 35 mm ² , ribbon cable YDSA/NYDY 16/25/35 mm ²	1	FHAK-Dämmscheibe 3 1/2" 4 x 35 mm ² , YDSA/NYDY	93815-6933

Overhead-line house service boxes

Accessories for single-strand line 10 – 70 mm²



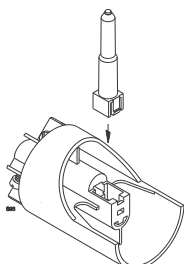
93815-6916

Spacing discs in acc. with DIN 43/637

Features:

- Ensures the correct spacing of conductors inside the roof service mast

Designation	PU	Product designation	Order no.
Spacing disc for single-strand line 10 – 70 mm ² , DIN 43637, for roof service masts with 3" tube, for conductors 16 – 35 mm ² + control line	1	FHAK-Distanzscheibe 3" 16 - 35 mm ² , Leiter	93815-6916
Spacing disc for single-strand line 10 – 70 mm ² , DIN 43637, for roof service masts with 3" tube, for conductors 10 – 50 mm ² + control line	1	FHAK-Distanzscheibe 3" 10 - 50 mm ² , Leiter	93815-6917
Spacing disc for single-strand line 10 – 70 mm ² , DIN 43637, for roof service masts with 3 1/2" tube, for conductors 16 – 35 mm ² + control line	1	FHAK-Distanzscheibe 3 1/2" 16 - 35 mm ² , Leiter	93815-6915
Spacing disc for single-strand line 10 – 70 mm ² , DIN 43637, for roof service masts with 3 1/2" tube, for conductors 10 – 50 mm ² + control line	1	FHAK-Distanzscheibe 3 1/2" 10 - 50 mm ² , Leiter	93815-6914
Spacing discs in acc. with DIN 43 637 for overhead-line house service boxes, 3 1/2" tube, conductors 4 x 16 mm ² , single-strand line 10 – 70 mm ²	1	FHAK-Distanzscheibe 3 1/2" 4 x 16 mm ² , Leiter	93815-6913



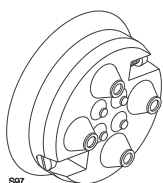
93815-6912

Diverter DSU DIN 43637

Features:

- For diverting the feed line at a specified spacing in the area of the roof service mast opening

Designation	PU	Product designation	Order no.
Diverter DSU DIN 43637 for 3" – 3 1/2" tube, single-strand line 10 – 70 mm ² , for conductor 10 – 50 mm ² , screw-type attachment (4)	1	Umlenkstück 3-3 1/2" 10-50 LE	93815-6912



93815-6924

Insulating discs

Features:

- Reduces water condensation inside the roof service mast
- Is supplied as complete insulating disc comprising spacing disc and fitted tube seal

Designation	PU	Product designation	Order no.
Insulating disc kit for roof service mast, 3" tube, single-strand line 10 – 50 mm ²	1	FHAK-Dämmscheibe 3", 10 - 50 mm ² , Leiter	93815-6924
Insulating disc kit for roof service mast, 3 1/2" tube, single-strand line 16 – 70 mm ²	1	FHAK-Dämmscheibe 3 1/2" 16 - 70 mm ² , Leiter	93815-6934

Insulating discs

Features:

- For plastic-insulated multiple-strand cables and shielded lines

Designation	PU	Product designation	Order no.
Insulating disc for single-strand line 10 – 70 mm ² , for plastic-insulated multiple-strand cables and shielded lines, 3 1/2" tube, for conductors 4 x 16 mm ² + control line	1	FHAK-Dämmscheibe 3 1/2" 4 x 16 mm ² , Kunststoff	93815-6935

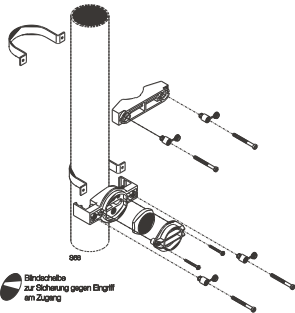
Lubricant

Features:

- Lubricating paste making it easier to feed in the insulating discs without causing damage

Designation	PU	Product designation	Order no.
Lubricating paste assisting in feeding-in insulating discs without causing damage (50 gr. tube)	1	FHAK-Spezialpaste 50 gr.	93815-0547

Overhead-line house service boxes Accessories



Blindschraube zur Sicherung gegen Eingriff am Zugang

93815-9106

Conversion kits

Features:

- For house service boxes of series K3 and K4
- Allows house service boxes to be mounted to overhead line masts
- Sealed, with spaced grommet inlet

Designation	PU	Product designation	Order no.
Conversion kit K3/K4 for overhead line – single-strand line 4 x 16 – 50 mm ²	1	HAK Freil. K3/K4 4x16-50 LE	93815-9106
Conversion kit K3/K4 for overhead line – ribbon cable 4 x 16 mm ²	1	HAK Freil. K3/K4 4x16 LF	93815-9109
Conversion kit K3/K4 for overhead line – ribbon cable 4 x 25/35 mm ²	1	HAK Freil. K3/K4 4x25/35 LF	93815-9110
Conversion kit for roof service mast mounting of house service box, open inlet	1	HAK Dachständerbefest. offene Einf.	93810-9108

Inlet kit

Features:

- For overhead-line house service boxes of series F14 if specifically prepared for this purpose and for series F16/17

Designation	PU	Product designation	Order no.
Conversion kit F14/F16/F17 for overhead line – single-strand line 4 x 16 – 50 mm ²	1	FHAK Freil. F14/F16/F17 4x16-50 LE	93815-9139
Conversion kit F14/F16/F17 for overhead line – ribbon cable 4 x 16 mm ²	1	FHAK Freil. F14/F16/F17 4x16-50 LF	93815-9145
Conversion kit F14/F16/F17 for overhead line – ribbon cable 4 x 25 mm ² / 35 mm ²	1	FHAK Freil. F14/F16/F17 4x16-50 LF	93815-9146
Conversion kit F14/F16/F17 for overhead line without spacing and seal for tube attachment	1	FHAK Freil. F14/F16/F17 ohne Distanz./Dichtung	93815-9141

Seal of line inlet for overhead-line house service boxes

Features:

- For single-strand lines 16 – 50 mm²



93815-6409

Designation	PU	Product designation	Order no.
Seal for line inlet, pressure plate, single-strand line 16 – 50 mm ²	1	FHAK-Druckplatte Flachb. 16 - 50 mm ²	93815-6409
Seal for line inlet, sealing plate, ribbon cable 16 – 35 mm ²	1	FHAK-Dichtplatte Flachb. 16 - 35 mm ²	93815-1061

Seal of line inlet for overhead-line house service boxes

Features:

- For ribbon cables 16 – 35 mm²



93815-6454

Designation	PU	Product designation	Order no.
Seal for line inlet, pressure plate, ribbon cable 16 – 35 mm ²	1	FHAK-Druckplatte Flachb. 16 - 35 mm ²	93815-6454
Sealing plate for ribbon cable 16 mm ² , for overhead-line house service box	1	FHAK-Dichtplatte Flachb. 16 mm ²	93815-1117
Sealing plate for ribbon cable 25/35 mm ² , for overhead-line house service box	1	FHAK-Dichtplatte Flachb. 25/35 mm ²	93815-1118

Clamps for roof service mast with 3 – 3 1/2" tube

Features:

- For ribbon cables 16 – 35 mm²



93815-9606

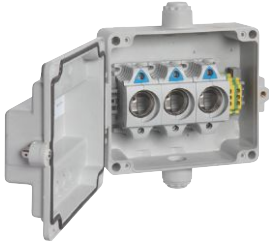
Designation	PU	Product designation	Order no.
Clamps for roof service mast with 3 – 3 1/2" tube, top part	1	Dachständerschelle 3 - 3 1/2", Obert.	93815-9606
Insulating disc kit for roof service mast, 3" tube, conductors 10 – 50 mm ²			93815-9635



93815-9635

Junction boxes

► Technical data, 450
Dimensional drawing, page 451



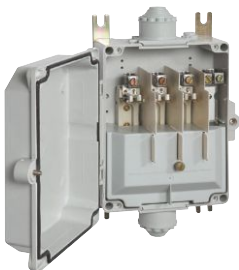
93430-0043

Series F4

Features:

- Dimensions (W x H x D): 180 x 160 x 100 mm
- Hinged door with drilled bolt for sealing wire
- 1 input and output: Intermediate conduit base with nipple grommet Pg21

Designation	PU	Product designation	Order no.
Junction box, line interface box F4, 1 x 3DII, 15 A, 1 x input and output, input: Terminal 4 – 10 mm ² Al/Cu, output: 2.5 – 10 mm ² Al/Cu	1	HAK F1 1x3DII Zug. 4-10/Abg. 2,5-10 ST	93430-0043



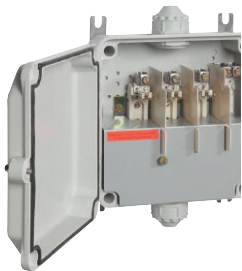
93431-0073

Series F7

Features:

- Dimensions (W x H x D): 180 x 233 x 110 mm
- Hinged door with drilled bolt for sealing wire
- 1 input and output: Drop-in conduit base Pg36/29

Designation	PU	Product designation	Order no.
Junction box, line interface box F7, 1 x 3NH00, 63 A, 1 x input and output, Input: Steel-box V-clamp 10 – 95 mm ² Al/Cu Output: Flat steel box clamp 6 – 70 mm ² Al/Cu	1	HAK F7 1x3NH00 Zug. 10-95/Abg. 6-70 ST	93431-0073



93432-0103

Series F10

Features:

- Dimensions (W x H x D): 235 x 245 x 110 mm
- Hinged door with drilled bolt for sealing wire
- 1 input and output: Intermediate flange with nipple grommet M50/29

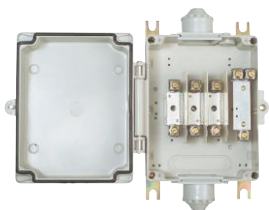
Designation	PU	Product designation	Order no.
Junction box, line interface box F10, 1 x 3NH00, 63 A, 1 x input and output, Input: Steel-box V-clamp 10 – 95 mm ² Al/Cu Output: Flat steel box clamp 6 – 70 mm ² Al/Cu	1	HAK F10 1x3NH00 Zug. 10-65/Abg. 6-70 ST	93432-0103

Series F14

Features:

- Dimensions (W x H x D): 235 x 300 x 130 mm
- Hinged door with drilled bolt for sealing wire
- 1 input and output: Drop-in conduit base M50/29

Designation	PU	Product designation	Order no.
Junction box, line interface box F14, 1 x 3 NH00, 100 A, 2 outputs, 1 x input and output, pressure plates 10 – 50 mm ² Cu/Al	1	HAK F14 1x3NH00 Zug. 10-50/Abg. 10-50 ST	93433-0143



93490-0000

Line interface boxes, protection class IP54

Features:

- Enclosure: Glass-fibre-reinforced polyester of type FS 803 in accordance with DIN 16911
- Dimensions (W x H x D): 235 x 180 x 110 mm
- Hinged door with drilled bolt for sealing wire
- Protection class IP54
- Input and output: Drop-in conduit base M50/29
- Steel-box flat-clamps 6 – 70 mm²
- 5 individual terminals (L1, L2, L3, N, PE) available as an option

Designation	PU	Product designation	Order no.
Line interface boxes IP54, standard variant	1	Leitungsübergangskasten ST	93490-0000

Flush-mounted house service box Series K20

Variant:

Degree of protection: IP54
Enclosure made of pressed polyester mass of type 833.5, with polystyrene tray for thermal insulation

Colour:

Aluminium with synthetic-resin base coat, RAL 9010 pure white

Dimensions:

(W x H x D) 408 x 488 x 170 mm

Locking mechanism:

Box lock with rain cover, prepared for lock cylinder

Input:

1 or 2 inlet grommets with membrane seal

Output:

Separately provided nipple grommets with knock-outs for top or bottom output
right/left/rear

Installation:

NH00 ceramic bases in accordance with DIN 43620

Input terminals:


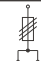
Steel-box V-clamps 10 – 95 mm² Al/Cu

Output terminals:

Steel-box flat-clamps 6 – 70 mm² Al/Cu

PEN conductor:

Terminals as with NH bases, additional terminal for POT and nipple grommet M25 (M 1.1),
additional terminal for earth conductor (M 4.1) optional

Order no.		Pre-assembled variants	Cable inlets	Input terminals mm ²	Output terminals mm ²
93420-0100		1 x 3 NH00 I _n = 100 A	1	Steel-box V-clamp 10 – 95 mm ² Al/Cu	Steel-box flat-clamp 6 – 70 mm ² Al/Cu
93420-2100		1 x 3 NH00 I _n = 100 A	2	2 x pressure plate 10 – 50 mm ² Al/Cu	Pressure plate 6 – 70 mm ² Al/Cu

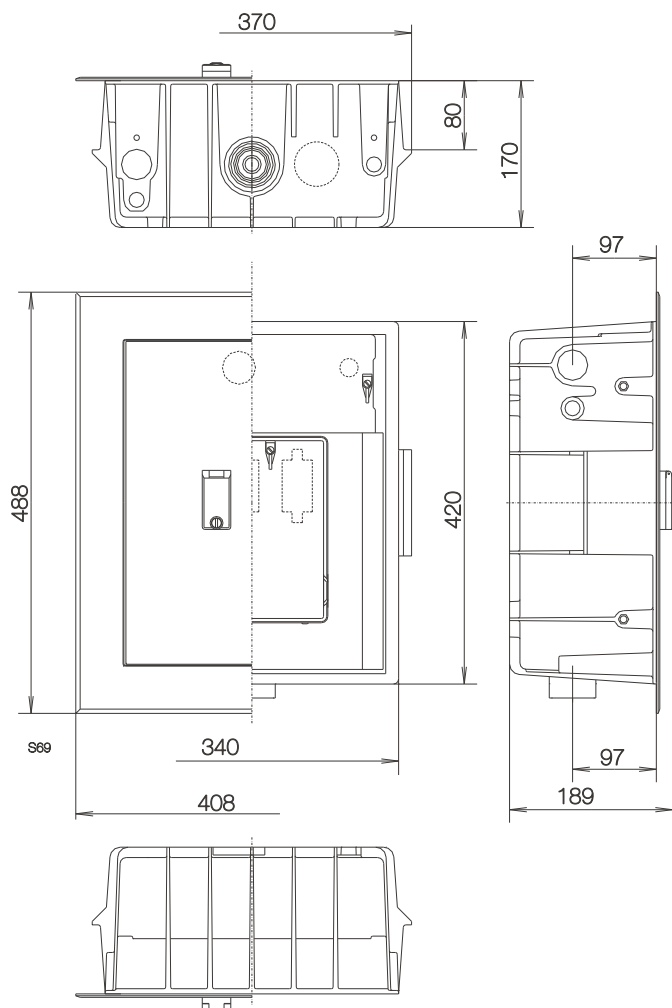
Product benefits

- Interface between public grid and consumer system
- Suitable for installation in outer walls
- Degree of protection: IP54

Flush-mounted house service box

Dimensional drawing

Series K20



Overhead-line house service boxes Series F14

Variant:

Degree of protection: IP54
Glass-fibre-reinforced polyester of type FS 803

Colour:

RAL 7035 light grey

Dimensions:

(W x H x D) 235 x 300 x 130 mm

Enclosure cover:

Glass-fibre-reinforced polyester of type FS 803

Input/mounting types:

(optional, accessory):

Tube clamp bottom parts for attachment to roof service mast, press-fitted with 2 steel top parts for 3 – 3 1/2" tubes, inlet grommet, either open and unsealed (N-type) or sealed with spacers

Output:

Drop-in conduit base, elevated base with sealing nipple optional

Installation:

NH00 ceramic bases in accordance with DIN 43620

Input terminals:

Pressure plates 10 – 50 mm² Al/Cu

Output terminals:

Pressure plates 10 – 50 mm² Al/Cu

Knock-outs:

Knock-outs for M50 conduits in sidewalls at top and bottom


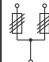
PEN conductor:

Terminals as with NH bases, additional terminal for POT and nipple grommet M25 (M 1.1), additional terminal for earth conductor (M 4.1) optional

Special-purpose variants:

Enclosure prepared for the installation of street lighting elements, fits one or two street lighting elements of size D0 if tube-mounted and if used for only one circuit.

Distribution systems

Order no.		Variants including installation	Cable outlets	Input terminals mm ²	Output terminals mm ²
93424-0013		1 x 3 NH00 I _n = 100 A	1	Steel-box V-clamp 10 – 95 mm ² Al/Cu	Steel-box flat-clamp 6 – 70 mm ² Al/Cu
93424-0023		1 x 3 NH00 ΣI _n = 100 A	2	Pressure plate 10 – 50 mm ² Al/Cu	2 x pressure plate 10 – 50 mm ² Al/Cu

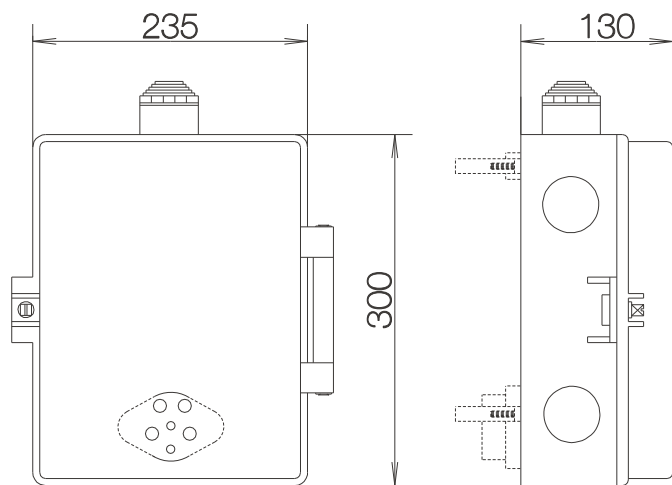
Product benefits

- Interface between public grid and consumer system
- Protection class IP54 for all series

Overhead-line house service boxes

Dimensional drawing

Series F14



Overhead-line house service boxes Series F16/17

Variant:

Degree of protection: IP54
Glass-fibre-reinforced polyester of type FS 803

Colour:

RAL 7035 light grey

Dimensions:

F16: (W x H x D) 313 x 313 x 170 mm
F17: (W x H x D) 313 x 470 x 170 mm

Enclosure cover:

Glass-fibre-reinforced polyester of type FS 803, clear cover made of polycarbonate optional

Input/mounting types:

Tube-mounting clamps of roof service masts, 3 – 3 1/2" upper and lower part, inlet grommet included but not installed

Output:

Intermediate conduit base with nipple grommet

Installation:

NH00 bases in accordance with DIN 43620
NH2 bases in accordance with DIN 43620

Input terminals:

Pressure plates Al/Cu

Output terminals:

Pressure plates Al/Cu

Knock-outs:

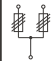
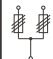
Knock-outs for M50 conduits in sidewalls at top and bottom

PEN conductor:

Terminals as with NH bases, additional terminal for POT and nipple grommet M25 (M 1.1),
additional terminal for earth conductor (M 4.1) optional

Special-purpose variants:

Enclosure prepared for installation of street lighting elements, tube-mounting only.

Order no.		Pre-assembled variants	Cable outlets	Input terminals mm ²	Output terminals mm ²
93426-0033		2 x 3 NH00 $\sum I_n = 100 \text{ A}$	2	Pressure plate 10 – 50 mm ² Al/Cu	2 x pressure plate 10 – 50 mm ² Al/Cu
93427-0013		2 x 3 NH00 $\sum I_n = 2 \times 100 \text{ A}$	2	Pressure plate 10 – 50 mm ² Al/Cu	2 x pressure plate 10 – 50 mm ² Al/Cu

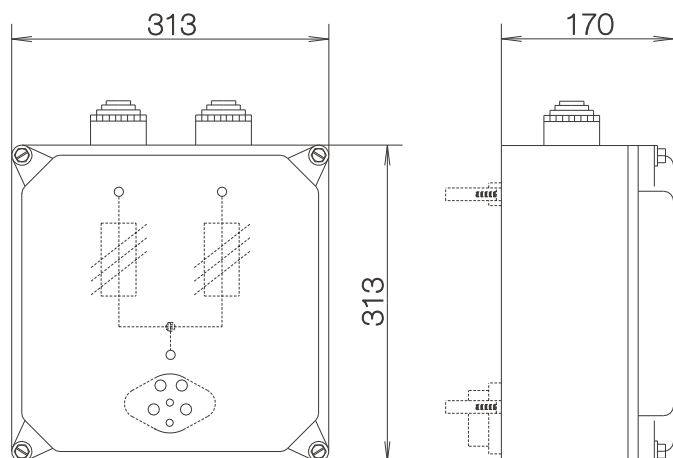
Product benefits

- Interface between public grid and consumer system
- Protection class IP54 for all series

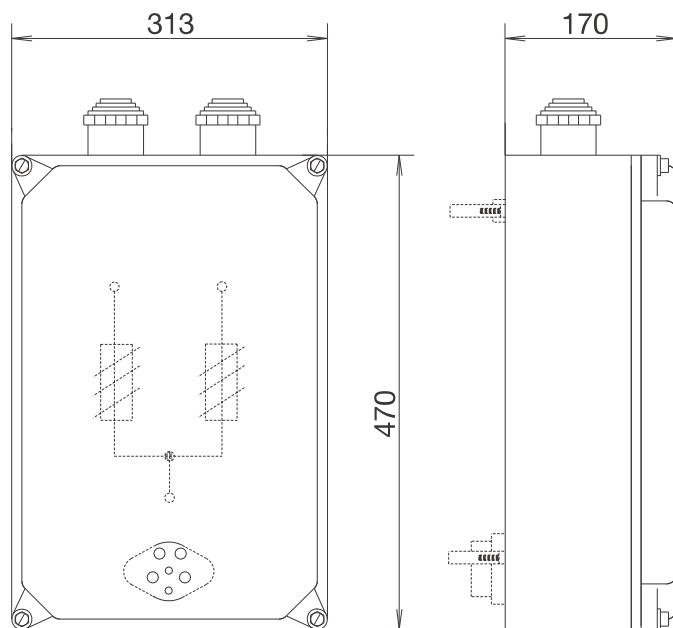
Overhead-line house service boxes

Dimensional drawings

Series F16



Series F17



Junction boxes Series F4, F7, F10, F14

Variant:

Degree of protection: IP54

Glass-fibre-reinforced polyester of type FS 803 in accordance with DIN 16911

Colour:

RAL 7035 light grey

Installation:

NH00 bases, D-elements




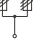
Mounting type:

4-point external mounting

Equipment:

When fitted with D-elements:

 Interior cover against contact
with plug-in DSO cover

Order no.		Pre-assembled variants	Cable inputs	Cable outlets	Input terminals mm ²	Output terminals mm ²	Terminals
93430-0043		1 x 3 DII 25 A	1	1	4 – 10 mm ²	2.5 – 10 mm ² (terminal)	PE/N terminal
93431-0073		1 x 3 NH00 I _n = 63 A	1	1	Steel-box V-clamp 10 – 95 mm ² Al/Cu	Steel-box flat-clamp 6 – 70 mm ² Al/Cu	PEN/N M1.1: 2 x terminal / nipple grommet Pg 13.5 top right
93432-0103		1 x 3 NH00 I _n = 63 A	1	1	Steel-box V-clamp 10 – 95 mm ² Al/Cu	Steel-box flat-clamp 6 – 70 mm ² Al/Cu	PE/N M1: 2 x terminal
93433-0143		1 x 3 NH00 ∑I _n = 100 A	1	2	Pressure plate 10 – 95 mm ² Al/Cu	2 x pressure plate 10 – 50 mm ² Al/Cu	PE/N M1.1: 2 x terminal / nipple grommet Pg 16 (POT)

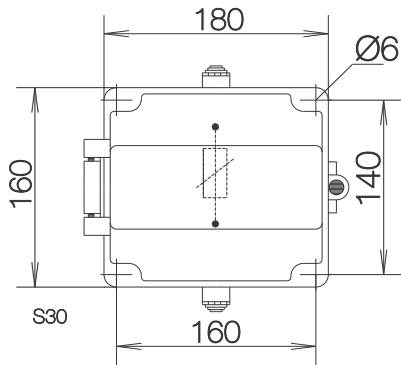
Product benefits

- Interface between public grid and consumer system
- Protection class IP54 for all series

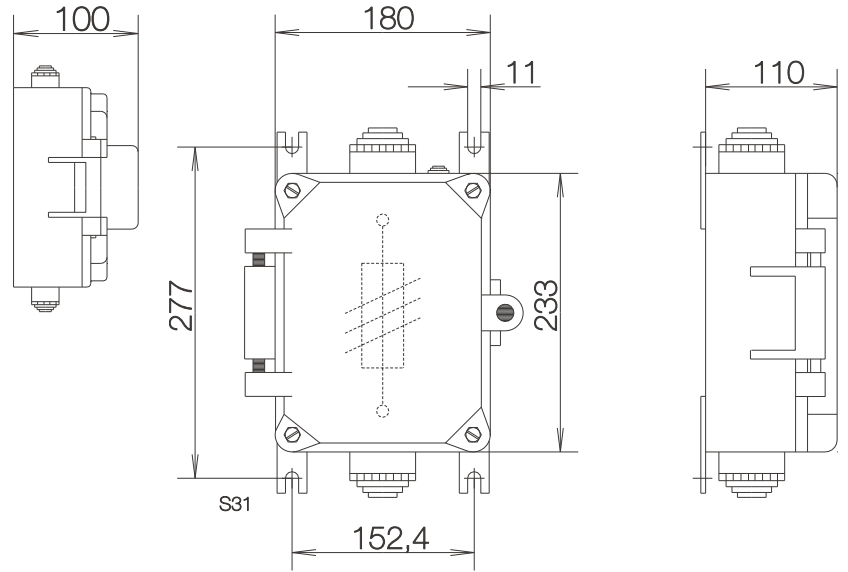
Overhead-line house service boxes

Dimensional drawings

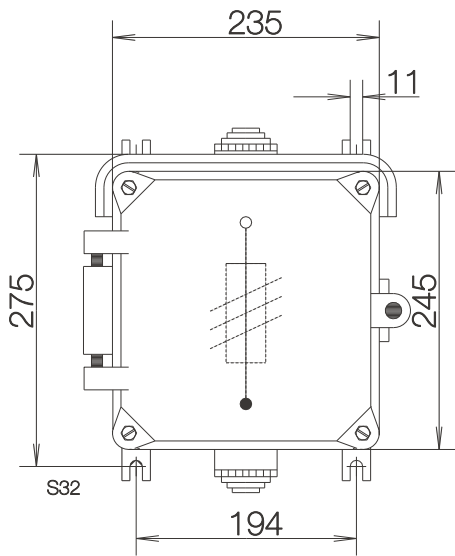
Series F4



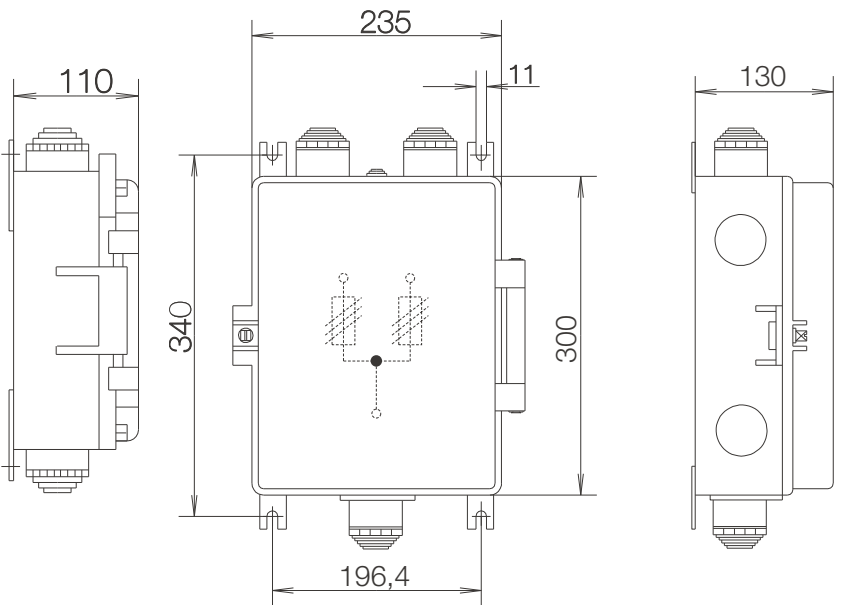
Series F7



Series F10



Series F14



Distribution systems

Cross-reference list

Type	Order no.	Type	Order no.	Type	Order no.	Type	Order no.
1		6		S		SL135P	93251-0211
10547	93815-0547	60138	93820-0138	SF100A	93102-0332	SL135PA	93251-0511
10612500	93424-0013	64000	93810-4000	SF100B	93102-0342	SL142	93260-0010
10612600	93424-0023	69846	93820-9846	SF101A	93112-0332	SL142P	93260-0211
10612780	93426-0033			SF101B	93112-0342	SL152	93262-0010
10613280	93427-0013	7		SF102A	93122-0332	SL152P	93262-0211
14430100	93420-0100	75914	93855-5914	SF102B	93122-0342	SL154	93191-0000
14432100	93420-2100	75924	93820-5924	SF135M	93251-0030	SL154P	93191-0201
14610700	93430-0043	78842	93820-8842	SH115AAA	93250-0013	SL155	93270-0010
14630200	93431-0073	79461	93815-9461	SH115AAC	93250-0113	SL155P	93270-0211
14630400	93432-0103	8		SH115AAE	93250-0213	SL157	93280-0010
14635211	93433-0143	86911	93815-6911	SH115BAB	93250-0313	SL157P	93280-0211
16113701	93412-0003	86912	93815-6912	SH115BAD	93250-0413	SL162	93261-0010
16113763	93412-3763	86913	93815-6913	SH115CAB	93250-0513	SL162P	93261-0211
16113799	93412-0023	86914	93815-6914	SH115CAD	93250-0613	SL172	93263-0010
16118001	93404-0003	86915	93815-6915	SH135AAA	93251-0013	SL172P	93263-0211
16118641	93404-0013	86916	93815-6916	SH135AAC	93251-0113	SL175	93271-0010
16118642	93404-0023	86917	93815-6917	SH135AAE	93251-0213	SL175P	93271-0211
16119001	93403-0053	86919	93815-6919	SH135BAB	93251-0313	SL177	93281-0010
16119062	93403-0023	86920	93815-6920	SH135BAD	93251-0413	SL177P	93281-0211
16123501	93412-0013	86921	93815-6921	SH135CAB	93251-0513	SL202	93264-0010
16123701	93412-3701	86924	93815-6924	SH135CAD	93251-0613	SL202P	93264-0211
16133501	93412-0033	86925	93815-6925	SH142AAA	93260-0013	SL205	93272-0010
17113701	93412-0043	86929	93815-6929	SH142AAB	93260-0113	SL205P	93272-0211
17118000	93404-0003	86930	93815-6930	SH142AAC	93260-0213	SL207	93282-0010
17123501	93412-0053	86933	93815-6933	SH142BAA	93260-0313	SL207P	93282-0211
17123701	93412-0053	86934	93815-6934	SH142CAA	93260-0413	SX004	93835-0010
17413701	93412-0073	86935	93815-6935	SH142CAB	93260-0513	SX005	93810-1010
17423501	93412-0083			SK080GA	93101-0302	SX006	93835-0110
				SK081GA	93110-0302	SX007	93835-0210
2		9		SK082GA	93120-0302	SX008	93835-1050
26123119	93490-0000	90266	93825-0266	SK084GA	93100-0302	SX009	93835-0150
		90267	93825-0267	SK100GA	93102-0302	SX010	93835-0250
3		90269	93825-0269	SK101GA	93111-0302	SX011	93835-1040
35340	93855-5340	90270	93825-0270	SK102GA	93121-0302	SX012	93835-0140
4		90271	93825-0271	SK142H	93260-0312	SX013	93835-0240
40000414	93810-0414	90272	93825-0272	SK152A	93262-0312	SX014	93835-1030
40000725	93810-0725	90273	93825-0273	SK155A	93270-0312	SX015	93835-0130
41061	93815-1061	90274	93825-0274	SK157A	93280-0312	SX016	93835-0230
41117	93815-1117	90275	93825-0275	SK162H	93261-0312	SX020F	93835-1055
41118	93815-1118	95038	93820-5038	SK172A	93263-0312	SX021F	93835-0155
42406	93810-2406	95075	93820-5075	SK175A	93271-0312	SX022F	93835-0255
44630	Auf Anfrage	95124	93808-0000	SK177A	93281-0312	SX030	93835-1020
44631	Auf Anfrage	95125	93808-0010	SK202A	93264-0312	SX031	93835-0120
45805	93810-5805	95126	93808-0020	SK205A	93272-0312	SX032	93835-0220
46409	93815-6409	95127	93808-0030	SK207A	93282-0312	SX135	93835-0055
46454	93815-6454	D		SL080	93101-0000	SY15Z	93865-0150
46534	93810-6534	DE0410M	93845-0410	SL080P	93101-0201	SY16Z	93865-0160
46535	93810-6535	DE0410TB	93845-0412	SL081	93110-0000	SY17Z	93865-0170
47900	93820-7900	DE0411TA	93845-0411	SL081P	93110-0201	SY18Z	93865-0180
47901	93820-7901	DE0413	93845-0413	SL081V	93110-0401	SY19M	93840-0190
47902	93820-7902	DE0414	93845-0419	SL082	93120-0000	SY41TA	93850-1420
47930	93820-7930	DE0510M	93845-0510	SL082P	93120-0201	SY47433M	93840-1420
49094	93855-9094	DE0510TB	93845-0512	SL082V	93120-0401	SY47434M	93840-1620
49106	93815-9106	DE0511TA	93845-0511	SL084	93100-0000	SY47435M	93840-1750
49108	93810-9108	DE0513	93845-0513	SL084P	93100-0201	SY47436M	93840-2050
49109	93815-9109	DE0515	93845-0515	SL100	93102-0000	SY51T	93850-0051
49110	93815-9110	DE0520M	93845-0520	SL100P	93102-0201	SY52T	93850-1540
49139	93815-9139	DE0523	93845-0523	SL101	93112-0000	SY53T	93850-1570
49141	93815-9141	DE0525	93845-0525	SL101P	93112-0201	SY61T	93850-2020
49145	93815-9145	DE0610M	93845-0610	SL101V	93112-0401	SY62T	93850-2040
49146	93815-9146	DE0613TB	93845-0613	SL102	93122-0000	SY63T	93850-2070
49606	93815-9606	DE0614	93845-0614	SL102P	93122-0201	SY79267M	93840-2020
49626	93820-9626	DE0614TA	93845-0618	SL102V	93122-0401	SY79268M	93840-2070
49635	93815-9635	DE0616	93845-0616	SL115	93250-0010	SY79269M	93840-1720
5		DE0620M	93845-0620	SL115P	93250-0211	SY79270M	93840-1770
50994	93820-0994	DE0624	93845-0624	SL130	93103-0000	SY79271M	93840-1520
51692	93810-1692	DE0626	93845-0626	SL130P	93103-0201	SY79272M	93840-1550
51693	93810-1693	DY98570S	93820-8570	SL131	93113-0000	SY79273M	93840-1570
52843	93810-2843	DY98579S	93820-8579	SL131P	93113-0201		
55045	93810-5045	DY98580S	93820-8580	SL132	93123-0000		
55517	93820-5517	DY98581S	93820-8581	SL132P	93123-0201		
55593	93820-5593			SL132V	93123-0401		
55696	93820-5693			SL135	93251-0010		
				SL135A	93251-0033		

Distribution systems



IN THE LINE OF POWER



Efficient Distribution

When it comes to reliable power supply, replacing nuclear power by renewable energies is one of the greatest challenges. To this end, EFEN offers consistent solutions for safety interfaces from power generation to power storage and to the selective control of consumers.



Reliable Protection

Reliable protection of people and assets is a key requirement of any power distribution system. The comprehensive solutions from EFEN ensure maximum safety in all areas of power supply, infrastructure and industry.



Smart Control

Higher energy efficiency reduces peak loads and lowers energy costs. Early-warning systems reduce minimal unplanned plant downtimes to the minimum. Smart solutions from EFEN ensure reliable communication and maximum availability of power distribution systems.

EFEN GmbH
Große Hub 10c
65344 Eltville, Germany
Tel. + 49 (0) 6123 7045-0
Fax + 49 (0) 6123 7045-122
e-Mail: mail@efen.com
www.efen.com

Slovakia
EFEN Slovakia s.r.o
Odborárska 3
831 02 Bratislava
Slovensko/Slovakia
Tel. 00421 55 633 9898
Fax 00421 55 633 9898
e-Mail: efen@efen.sk

Logistic - Center
EFEN GmbH
Gewerbepark Nord 6
04938 Uebigau
Germany
Tel. +49 35365 893 0
Fax +49 35365 893 35
e-Mail: efen@efen.com

Hungary
EFEN Division
Guba Sándor u. 87
7400 Kaposvár
Hungary
Tel. +36-82-417559
Fax +36-82-417529
e-Mail: info@efen-hungaria.hu

Austria
EFEN GmbH
Prinzgasse 1/29/9
1220 Wien
Austria
Tel.: +43 (0) 676-9768-100
Fax: +43 12533033 3366
e-Mail: suchacek@efen.com

China
EFEN Shanghai Office
800 Shangchen Rd (1090 New Century Ave)
Room 517 CIMIC Building Shanghai 200120
China
Tel. +86 21 6575-8878
Fax +86 21 6575-8876
e-Mail: efen@efen.com.cn

Poland
EFEN sp. z o.o.
Aleja Młodych 26-28
41-106 Siemianowice Śląskie
Poland
Tel. +48 32 220 00 63
Fax +48 32 220 00 64
e-Mail: efen@efen.com.pl
e-Mail: export@efen.com.pl
www.efen.com.pl

